



## 2015 Price List

79 Walton Street, Attleboro MA

508-455-0661 • FAX 508-455-0622 • 1-888-STERGIS

### **STERGIS VINYL WINDOWS**

#### **PATIO AND SWING DOORS**

1100 Series Sliding Patio Door  
1100 Series Swing Doors  
2100 Sliding Patio Door  
Patio Door Installation Instructions  
Bay and Bow Series  
Bay/Bow Installation Instructions

#### **BELMONT REPLACEMENT**

Double Hung Windows  
Picture Windows  
Casement/Awning Windows  
Cellar Hopper and Deadlight Windows  
Sliding Windows  
Replacement Installation Instructions  
Vinyl Window Measuring Sheet

#### **WINDGATE NEW CONSTRUCTION**

Double Hung Windows  
Single Hung Windows  
Picture/Transom Windows  
Casement/Awning Windows  
Sliding Windows  
Architectural Shapes  
New Construction Installation Instructions

#### **STORMGATE NEW CONSTRUCTION**

Double Hung  
Single Hung  
Picture /Transom Windows  
Casement/Awning Window  
Sliding Windows

#### **CHARLESTON NEW CONSTRUCTION**

Single Hung Windows  
Picture Windows  
Transom Windows

### **STERGIS ALUMINUM PRODUCTS**

#### **STORM WINDOWS**

Triple Track Model 60  
Stationary Storm Windows  
Cellar/Storm Sliders  
Storm Window Measuring Instructions  
Storm Window/Door Measuring Sheet

#### **STORM DOORS, PORCH ENCLOSURES & SCREENS**

Model 200 Momentum Doors  
Screens and Inserts  
Porch Enclosures

#### **GLASS AND STOREFRONT**

Glass  
Storefront  
Hardware  
Commercial Check List  
Commercial Project Time Line



**STERGIS**  
WINDOWS • DOORS

www.Stergis.com

79 Walton Street, Attleboro MA

508-455-0661 • FAX 508-455-0622 • 1-888-STERGIS

**Platinum 1100 Sliding Patio Door**

Nominal size	XO/OX 5068	XO/OX 6068	XO/OX 8068	OOX/OXO 9068	OXXO 12068	Custom sizes
Unit size	59 ½ x 79 ½	71 ½ x 79 ½	95 ½ x 79 ½	107 ½ x 79 ½	140 ½ x 79 ½	+ - 10ui
<b>White</b> (With standard dual point handle no lock)	\$1007	\$1049.00	\$1558.00	\$1897.00	\$2544.00	+400
<b>Sandstone</b> (Hardware included)	Add 10%	Add 10%	Add 10%	Add 10%	Add 10%	+400
<b>Painted Custom Color</b> EXTERNAL ONLY (White interior)	Add 40%	Add 40%	Add 40%	Add 40%	Add 40%	Add 40%
<b>Laminated Exterior</b> (Bronze or Green)	Add 25%	Add 25%	Add 25%	Add 25%	Add 25%	Add 25%
<b>Laminated Wood Grain</b> Interior Only (Light or Dark Oak)	Add 25%	Add 25%	Add 25%	Add 25%	Add 25%	Add 25%

X= Operating O= Stationary Viewed From Exterior

**Platinum 1100 Transoms/ Sidelites**

<b>Sidelite /Transom</b> (3202/3204)	\$ 4.70 ui Clear Temp	\$4.90 ui Low-E Temp	\$5.10 ui EnerG Temp	Add 10% For Beige
---	--------------------------	-------------------------	-------------------------	-------------------

**SIZE LIMITATIONS**

Min Width	48"	Min Height	48"	Recommended Uses: Residential and Light Commercial
Max Width	192"	Max Height	98"	

**OPTIONS**

**GLASS**

Clear Tempered	\$ 50.00 per panel
Low-E Tempered	\$ 50.00 per panel
EnerG Tempered	\$ 75.00 per panel

**GRIDS**

Contoured	\$ 60.00 per panel
SDL Exterior Surface 1	\$ 125.00 per panel
SDL Interior Surface 4	\$ 125.00 per panel
Custom Two-Toned	\$ 100.00 per panel
Diamond	\$ 200.00 per panel
Prairie	\$ 60.00 per panel

**SCREEN**

Full Aluminum	Standard
Full Fiberglass	Available
Full Pet	\$ 0.70 per ui

**OTHER**

Nailing Fin	Standard
4 9/16" Extension Jamb	\$ 75.00 per door
6 9/16" Extension Jamb	\$ 100.00 per door
Salem Trim No Sill	\$ 160.00 per door
N.E. Flat Casing No Sill	\$ 160.00 per door
Drywall return (4 sides)	\$ 25.00 per door
Mull Charge	\$ 48.00 per mullion

**HARDWARE**

White/ Beige Dual Point No Lock	\$ 100.00 each
White Dual Point Lock Only	\$ 50.00 each
White Handle With Key Lock	\$ 125.00 each
Brass/Satin Nickel With Key Lock	\$ 200.00 each
Stainless Multi Point with Key Lock	\$ 200.00 each
Brass 3 Point Multi Point With Key Lock	\$ 300.00 each
Dead Bolt Foot Lock	\$ 30.00 each

**TEST SUMMARY**

	NFRC	U-Factor	SHGC	CRF
Structural Rating: AAMA/WDMA/CSA 101/IS2/A440-05				
Air infiltration: @ 1.56PSF Astm E283	Clear	0.47	0.64	42
Water Penetration: @ 5.25 psf Astm E547	Low-E	0.32	0.31	52
Uniform Structural Load @ 50psf (exterior) Astm E300 @ 50psf (interior)	EnerG	0.29	0.30	55
SGD R50 – R65 .17 cfm /ft.				
No Entry				
No damage No damage				



# STERGIS Vinyl Sliding Patio Door

## Architect's Specifications

### Residential and Light Commercial Applications

**General:** Manufactured by STERGIS Windows and Doors, Attleboro, Massachusetts

**Operation:** Sash panel shall be reversible for left or right hand operation on stock size doors. Operating panel shall glide on tandem stainless steel TRUTH adjustable wheels. Wheels shall glide on a replaceable lexan monorail. Stationary panel shall be fixed at head and sill with interlock anchors. Panels shall have a positive interlock at the meeting rail when in the closed position.

**Materials:** Frame extrusion shall be 100% virgin uPVC. Jamb frame shall have seven tubular hollows and have a nominal wall thickness of .100.

**Frame Construction:** Corners shall be mitered and welded at the head with a low profile sloped sill fastened to the jamb. The frame is to be 4 9/16" with a drip edge/J channel. The frame is designed with a complete screen track on the exterior. The sill shall have 10 tubular hollows and a nominal wall thickness of .080". Dual weather seals will be employed at every contact point with the sash. A vinyl cover shall be snapped onto the fixed jamb inside leg to give the jamb a finished appearance.

**Panel Construction:** Panel profiles shall have mitered and fusion welded corners. Panel profiles shall have a nominal wall thickness of .100". Panel frame shall have four tubular hollows and shall be reinforced with an 0.060" thick 1 7/8" deep galvanized steel channels in the meeting rails and locking stiles. All handle and locking hardware will be secured to the reinforcement. The panel shall have a removable interior snap-in glazing bead which will allow replacement of glass without taking the entire sash apart.

**Screen Construction:** The door screen frame shall be of heavy tubular aluminum, reinforce at the corners with extruded corner keys for maximum strength. Insect screening shall be 18x16 non-glare charcoal finished, fiberglass mesh held in place with a corrugated vinyl screen spline.

**Available Finishes:** Shall be solid vinyl throughout in white or Beige.

**Glazing:** Insulating glass shall have an overall thickness of 1" and a minimum 1/2" air space inside dimension. Standard glass shall be single strength 2.5mm and double strength 3.0 domestic type B float glass. Dura Seal Warm Edge glass spacer will be used to form a continuous hermetic seal around the insulated unit to encapsulate the air space. All glass lites will be installed via CBA and SIGMA standards in accordance with ASTM E773 and E774. Methods to include proper drainage, oval staggered weep system, and setting blocks with appropriate blocking.

**Weather stripping:** Weather stripping on the main frame perimeter shall be silicone treated woolpile with a polypropylene fin in the center. Each sash meeting rail shall contain one course of fin-type weather stripping and a positive interlock for a triple seal.

**Hardware:** Included with the door is white/beige dual point hardware with optional key set and all the necessary screws for installation.



www.Stergis.com

79 Walton Street, Attleboro MA

508-455-0661 • FAX 508-455-0622 • 1-888-STERGIS

### PVC 1100 Atrium/French Swing Door

Nominal size	3068		5068		6068		8068		Custom sizes
Unit size	35 ½ x 79 ½		59 ½ x 79 ½		71 ½ x 79 ½		95 ½ x 79 ½		+ - 10 ui
	White	Beige	White	Beige	White	Beige	White	Beige	
<b>French Door</b> (3304/3305)	N/A	N/A	\$2309	+10%	\$2542	+10%	\$3241	+10%	+\$600
<b>Atrium Door</b> (3302/3303)	N/A	N/A	\$1982	+10%	\$2145	+10%	\$2845	+10%	+\$600
<b>Single Swing Door</b> (3300/3301)	\$1357	+10%	N/A	N/A	N/A	N/A	N/A	N/A	+\$600
<b>Sidelite/Transom</b> (3203)	\$4.70 ui Clear Temp		\$4.90 Ui Low-E Temp		\$5.10 ui EnerG Temp		Add 10% For Beige		
<b>Laminated Wood Grain</b> Interior Only (Light or Dark Oak)	Add 25%	Add 25%	Add 25%	Add 25%	Add 25%	Add 25%	Add 25%	Add 25%	

**SIZE LIMITATIONS** Min Width 26" Min Height 48" Recommended Uses:  
 Max Width 42" single 96" double Max Height 98" Residential and Light Commercial

#### Feature Summary

- Screen Available on In Swing Atrium Door Only
- Screens **NOT** Available on French or Single Swing Doors
- All Welded frame and sash
- Steel reinforced sash
- 1" insulated tempered warm edge glass
- 3 adjustable 3D hinges per door panel
- 4 9/16" depth frame – Replacement or New Construction
- White Multi Point Hardware With Key Lock Standard
- Key lock cylinder with oversize dead bolt
- Replaceable Q-Ion weather seals
- High pressure aluminum sill threshold

#### OPTIONS

##### GLASS

Clear Tempered Standard  
 Low-E Tempered \$ 50.00 per panel  
 EnerG Tempered \$ 75.00 per panel

##### HARDWARE

White Multi Point With Key Lock \$ 150.00 per handle  
 Brass Multi Point With Key Lock \$ 200.00 per handle  
 Satin Nickel Multi Point With Key Lock \$ 200.00 per handle

##### GRIDS

Contoured \$ 60.00 per panel  
 SDL Exterior Surface 1 \$ 125.00 per panel  
 SDL Interior Surface 4 \$ 125.00 per panel  
 Custom Two-Toned \$ 100.00 per panel  
 Diamond \$ 200.00 per panel  
 Prairie \$ 60.00 per panel

##### OTHER

Nailing Fin Standard  
 4 9/16" Extension Jamb \$ 75.00 per door  
 6 9/16" Extension Jamb \$ 100.00 per door  
 Salem Trim No Sill \$ 160.00 per door  
 N.E. Flat Casing No Sill \$ 160.00 per door  
 Drywall return (4 sides) \$ 25.00 per door  
 Mull Charge \$ 48.00 per mullion

##### SCREEN (ATRIUM ONLY)

Full Aluminum Standard  
 Full Fiberglass Available  
 Full Pet \$ 0.70 per ui

#### TEST SUMMARY

	NFRC	U-Factor	SHGC	CRF
Structural Rating: AAMA/WDMA/CSA 101/IS2/A440-05 SGD- R50 – R65				
Air infiltration: @ 1.56PSF Astm E283 .17 cfm /ft.	Clear	0.47	0.64	42
Water Penetration: @ 5.25 psf Astm E547 No Entry	Low-E	0.32	0.31	52
Uniform Structural Load @ 50psf (exterior) Astm E300 @ 50psf (interior) No damage	EnerG	0.29	0.30	55



# STERGIS PVC

## Single Swing/Atrium/French Door System

### Architect's Specifications

**General:** Manufactured by STERGIS Windows and Doors, Attleboro, Massachusetts

**Operation:** Door panels swing on Continuous Gear hinge rated for 1200 lbs. Full locking hardware consist of white multipoint lever handles and deadbolt pins engaging in the head and sill of the frame. A mortise type lock and deadbolt engage in the midrail keeper. Stationary panel meet the operable sash by means of an astrical or jamb connector. Doors can be fabricated in inswing and outswing styles.

**Materials:** Frame extrusion shall be 100% virgin uPVC. Jamb frame shall have seven tubular hollows and have a nominal wall thickness of .125.

**Frame Construction:** Corners shall be mitered and entirely welded at the head and sill with a low profile aluminum threshold at the sill. The frame is to be 4 9/16" flat frame with optional nailing fin / J channel. The frame is designed to receive a rolling screen on the exterior (on Atrium, in-swing only). All hardware is installed and adjustable. Replaceable compression Q-lon seals are used around the entire frame. Installation holes are drilled and countersunk and are supplied with smooth cover buttons.

**Panel Construction:** Panel profiles shall have mitered and fusion welded corners. Panel profiles shall have a nominal wall thickness of .125". Panel frame shall have four tubular hollows and shall be steel reinforced with an 0.060" thick 1 7/8" deep galvanized steel channels in the meeting rails and locking stiles. The panel shall have a removable interior snap-in glazing bead which will allow replacement of glass without taking the entire sash apart.

**Screen Construction(when available):** The door screen frame shall be of heavy tubular aluminum, reinforce at the corners with extruded corner keys for maximum strength. Insect screening shall be 18x16 non-glare charcoal finished, fiberglass mesh held in place with a corrugated vinyl screen spline.

**Available Finishes:** Shall be solid vinyl throughout in white and beige color. Three wood grain laminate colors for the interior are available. The exterior is available in Bronze Laminate or any color paint.

**Glazing:** Insulating glass shall have an overall thickness of 1" and a minimum 3/4" air space inside dimension. Standard glass shall be 1/8" Tempered Clear. Dura Seal Warm Edge glass spacer will be used to form a continuous hermetic seal around the insulated unit to encapsulate the air space. All glass lites will be installed via CBA and SIGMA standards in accordance with ASTM E773 and E774. Methods to include proper drainage, oval staggered weep system, and setting blocks with appropriate blocking.

**Weather stripping:** Weather stripping on the main frame perimeter shall be Q-lon sealed Bulb seal.. All seals are replaceable and color matched.

**Hardware:** Included with the door is white multipoint hardware with key lock. Mechanical lock system is stainless components. Continuous Piano Hinge system in Anodized corrosion resistant finish.

**Impact Testing:** Available on all Single Swing and Atrium Doors. French doors outswing only



## 2100 DP50 Sliding Door

Nominal size	XO/OX 5068	XO/OX 6068	XO/OX 8068	Feature summary
Unit size	59 ¼ x 79 ½	71 5/8 x 79 ½	95 ¼ x 79 ½	<ul style="list-style-type: none"> <li>• X = operating O = fixed (view from outside)</li> <li>• Reversible Sash OSLI</li> <li>• All Welded Construction</li> <li>• 7/8" Tempered Insulated Glass</li> <li>• Steel Reinforced Sash and Frame</li> <li>• Full 4 9/16" frame with Dual Interlock with Compression Seals Head and Sill</li> <li>• DP50 Performance Standard</li> <li>• Aluminum Extruded Screen with Stainless Steel wheels</li> <li>• Dual Adjustable Rollers</li> </ul>
<b>WHITE</b>	\$801	\$801	\$1034	
No Factory Muller Sidelites or Transoms Available				
Transoms And Sidelites Available Separately	See Sidelite	Transom	Page	

### Options: Includes single point white handle

Door	Hardware
Low-E 8ft \$162.00 per door	White single point Standard
Contour Grids \$ 60.00 per panel	
Nailing Fin Standard	

Test summary	NFRC	U-Factor	SHGC	CRF
Structural Rating: ANSI/AAMA 101-93 DP50 SGD-R50	Clear	0.47	0.64	42
Air infiltration: @ 1.56PSF Astm E283	Low-E	0.32	0.31	52
Water Penetration: @ 5.25 psf Astm E547	EnerG	0.29	0.30	55
Uniform Structural Load @ 50psf (exterior) No damage Astm E300 @ 50psf (interior) No damage				



**Bow Windows**

Width	Number of lites	Price	Feature summary
49" – 72"	3	\$18/united inch	<ul style="list-style-type: none"> <li>• Head / Seat and Side Jambs are 1 ¼" Wood (Birch) Laminate</li> <li>• Custom Wall Depth</li> <li>• Custom Projection</li> <li>• Standard with 2 Casement Vents/Double Hung are available</li> <li>• Includes Cable Support System</li> <li>• Jamb &amp; Head Fasteners required</li> <li>• Insulation Header &amp; Seat Arm</li> </ul>
73" – 96"	4		
85" – 132"	5		
133" – 144"	6		
Min Width 49"	Max Width 144"		
Min Height 36"	Max Height 75"		

**Bay Windows**

Width	Number of lites	Price	Feature summary
Any width 49" – 108"	Any height 36" – 75"	\$16/united inch	<ul style="list-style-type: none"> <li>• Head / Seat and Side Jambs are 1 ¼" Wood (Birch) Laminate</li> <li>• Custom Wall Depth</li> <li>• Custom Projection</li> <li>• Standard with 2 Double Hung Flankers</li> <li>• Casement flankers available</li> <li>• Includes Cable Support System</li> <li>• Jamb &amp; Head Fasteners Required</li> <li>• Insulation Header &amp; Seat Arm</li> </ul>
Min Width 49"	Max Width 108"		
Min Height 36"	Max Height 75"		

OPTIONS	BAY	BOW	
<b>GLASS</b>			
Clear	Standard	Standard	
Low-E	\$ 24.00 per lite	\$ 24.00	
EnerG	\$ 48.00 per lite	\$ 48.00	
Tempered	Call For Price	Call for Price	
<b>GRIDS</b>			Beige add 10%
Contoured	\$ 26.00 per lite	\$ 52.00	
Flat	\$ 26.00 per lite	\$ 52.00	
Diamond Grids	\$ 80.00 per lite	\$140.00	
SDL Exterior Surface 1 Grids	\$ 50.00 per lite	\$ 75.00	
SDL Interior Surface 4 Grids	\$ 50.00 per lite	\$ 75.00	
<b>OTHER</b>			Thermal NFRC See Window Pages
Folding Handle	\$ 20.00 per handle	\$ 20.00	
Nailing Fin for Flashing Only	\$ 28.00 per window	\$ 28.00	



**Belmont Replacement Double Hung**

SIZE(united inches)	<83	84-100	>101	Feature summary
<b>White</b>	\$240	\$260	\$3.50ui	<ul style="list-style-type: none"> <li>• Lifetime Transferable Warranty</li> <li>• Aluminum Half Screen Locking</li> <li>• Fully welded frame and sash</li> <li>• Stainless Steel Coastal Hardware</li> <li>• Double locks over 26" widths</li> <li>• Double weather-stripped sash</li> <li>• 3/4 " Warm Edge Insulated Glass Duralite</li> <li>• Tilting sash for easy cleaning</li> <li>• DS/SS Cardinal Glass</li> </ul>
<b>Sandstone</b>	Add 10%	Add 10%	Add 10%	
<b>Laminated Exterior</b> ( Bronze or Green)	Call (Pricing	For based on	Quote quantity)	
<b>Painted Custom Color</b> EXTERNAL ONLY (White interior)	Add 75%	Add 75%	Add 75%	
<b>Size Limitations</b>				
Minimum Width	16"	Minimum Height	24"	
Maximum Width	46"	Maximum Height	76"	
Recommended Uses: Residential Light Commercial				

**OPTIONS**

**GLASS**

Clear	Standard
Low-E	\$ 12.00 per sash
EnerG Performance	\$ 24.00 per sash
Obscure	\$ 14.00 per sash
Obscure Low-E	\$ 26.00 per sash
Obscure EnerG	\$ 38.00 per sash
Tempered Clear	\$ 100.00 per sash
Tempered Low-E	\$ 112.00 per sash
Tempered EnerG	\$ 124.00 per sash
Clear Obscure Tempered	\$ 114.00 per sash
Low-E Obscure Tempered	\$ 126.00 per sash
EnerG Obscure Tempered	\$ 138.00 per sash
Low-E Laminated (.030, .060, .090)	Call for Pricing

**GRIDS**

Contoured	\$ 26.00 per sash
Flat	\$ 26.00 per sash
SDL Exterior Surface 1	\$ 50.00 per sash
SDL Interior Surface 4	\$ 50.00 per sash
Prairie	\$ 26.00 per sash
Diamond	\$ 80.00 per sash
Custom 2 Toned	\$ 75.00 per sash

**OTHER**

Foam Wrap	\$ 20.00 per window
Snap on Nailing Fin No J	\$ 28.00 per window
Snap on Nailing Fin With J	\$ 28.00 per window
Mull Charge	\$ 24.00 per mullion
Oriel	Add \$ 40.00

**SCREEN**

Full Aluminum	\$ 24.00
Full Fiberglass	\$ 24.00
Pet Non-Locking Half Screen	\$ 0.70 per ui
Pet Locking Half Screen	\$ 0.70 per ui
Full Pet	\$ 0.70 per ui

Test summary	NFRC	U-Factor	SHGC	CRF
Structural Rating: AAMA/WDMA/CSA 101/IS2/A440-05 R35 – R50	Clear	0.47	0.56	43
Air infiltration: @ 1.56 psf (25 mph) .14 cfm /ft2	Low-E	0.33	0.26	55
Water Penetration: @ 6 psf No Entry	EnerG	0.29	0.26	55
Uniform Structural Load: @ 40 psf No Damage	EnerG x5	0.27	0.22	64
Uniform Load Deflection: @ 60 psf No Damage				
Deglazing Pass				
Forced Entry Resistance Pass L 10				





## STERGIS BELMONT Double Hung Architect's Specifications

**General:** Manufactured by STERGIS Windows and Doors, Attleboro, Massachusetts

**Operation:** Sash shall be counterbalanced to remain as placed during window operation. Both sashes shall tilt inwards for cleaning exterior glass surface. The top sash stiles shall be fitted with two security latches which, when extended, shall prevent the bottom sash from being opened more than three inches. Sash locks shall function to secure the opening and, through a cam-action mechanism, draw the interlocking meeting rails together for a tight seal. Window screens shall be of side load design and include provisions for spring loaded latches located at each end of the bottom rail.

**Materials:** All vinyl extrusions shall be rigid, 100% virgin uPVC. The jambs shall have a nominal wall thickness of .065" and shall include five tubular hollows for maximum strength and thermal efficiency. The sill shall have a nominal wall thickness of .065" and shall contain multiple hollows for strength. Sash profiles shall have a nominal wall thickness of .065". The interlock meeting rail will be reinforced with tempered aluminum to which the locks are firmly secured. Sash lift rails shall be integral to the sash extrusion. Sash meeting rails shall include an integral leg, which shall provide positive meeting rail interlock in the assembled unit.

**Frame Construction:** Frame profile shall be designed to install as a new construction with nailing fin and J channel or as a replacement with head and sill expanders as job conditions require. Overall frame depth shall be 3 1/4". Window main frame header will be miter cut and welded with a minimum melt off of 5mm. The sill will be compound cut and welded construction for positive seal and esthetics. Drain weeps under the screen track will provide a quicker drainage of the sloped sill without compromise to performance.

**Sash Construction:** Sash frame shall be miter cut and fusion welded at the corners. Each welded sash top rail shall conceal a self-aligning spring-loaded sash release latch. Each welded sash shall have recessed, heavy wall pivot bars screwed in place by stainless screws at the bottom sash corners. Glazing shall be secured in place with a dual-durometer snap in a glazing bead along the exterior perimeter of sash. Widths shall have aluminum reinforcements at the meeting rails. Widths from 36 1/4" to 48" shall have reinforcements at all sash horizontals. Heights from 72" shall have reinforcements at all sash verticals.

**Available Finishes:** Shall be solid vinyl throughout in white or almond.

**Screen Construction:** Half-screen standard. Frame shall be of hollow extruded design with a .055" wall thickness and the wire shall be 18x16 mesh non-glare charcoal finished aluminum. Corners will be staked with die cast corners. The bottom rail shall have a spring loaded release latch on each side to lock the screen in place. The locking device will engage into the master frame wall and not be visible from the exterior.

**Glazing:** Insulating glass shall have an overall thickness of 3/4" and a minimum 1/2" air space inside dimension. Standard glass shall be single strength 2.5mm and double strength 3.0 domestic type B float glass. Dura Seal Warm Edge glass spacer will be used to form a continuous hermetic seal around the insulated unit to encapsulate the air space. All glass lites will be installed via CBA and SIGMA standards in accordance with ASTM E773 and E774. Methods to include proper drainage, oval staggered weep system, and setting blocks with appropriate blocking.

**Weather Stripping:** A minimum of two courses of solid barrier fin-type weather stripping shall be applied at the crack perimeter (excluding sill) of the window. The bottom sash rail shall fit the sill so that two fin and one closed-cell bulb weather seals engage completely. The interlock will consist of two weather seals attached to the full interlock from jamb to jamb

**Hardware:** Sash balances shall be factory calibrated block and tackle balances. Balance cords shall be anchored to the head of the jamb by use of a stainless steel clip. The slide shoe (balance shoe) will be attached directly to the balance assembly and ride with the sash in a vertical movement. The sash pivot bar will engage the balance shoe and lock the sash with in a consistent hold to the jamb allowing for no distorting during handling and installation. Sash locks shall be cam type and finished to match the vinyl extrusion color. Locks shall be securely anchored with color matched, self-tapping screws driven through the sash rail and into an extruded aluminum-reinforcing bar. Double locks on opening widths 26" or greater.



### Belmont Replacement Picture Window

SIZE (united inches)	<55ui	56-150ui	Feature summary
<b>White</b>	\$2.80ui	\$3.60ui	<ul style="list-style-type: none"> <li>• Welded Frames with Internal Glazing</li> <li>• Warm Edge Insulated Glass</li> <li>• 3 1/4" Frame</li> <li>• Accessory Grooves Inside &amp; Outside</li> <li>• Beveled exterior / Contoured Interior</li> <li>• SS/DS Cardinal Glass</li> <li>• Head and Sill Angle Included</li> </ul>
<b>Sandstone</b>	Add 10%	Add 10%	
<b>Laminated Exterior</b> (Bronze or Green)	Call For Quote (Pricing Based	On Quantity)	
<b>Painted Custom Color</b> EXTERNAL ONLY (White interior)	Add 75%	Add 75%	
<b>SIZE LIMITATIONS</b>			
Minimum Size 14" x 14"		Maximum ui:	
Maximum Size 64" x 84"		148	

### OPTIONS

#### GLASS

Clear	Standard
Low-E Glass	\$ 12.00 per window
EnerG Performance	\$ 24.00 per window
Obscure	\$ 14.00 per window
Obscure Low-E	\$ 26.00 per window
Obscure EnerG	\$ 38.00 per window
Tempered Clear	\$ 100.00 per window
Tempered Low-E	\$ 112.00 per window
Tempered EnerG	\$ 124.00 per window
Clear Obscure Tempered	\$ 114.00 per window
Low-E Obscure Tempered	\$ 126.00 per window
EnerG Obscured Tempered	\$ 138.00 per window
Low-E Laminated (.030, .060, .090)	Call For Pricing
Plexiglass With Dryer Vent	\$ 100.00 per window

#### GRIDS

Contoured	\$ 52.00 per window
Flat Grids	\$ 52.00 per window
SDL Exterior Surface 1	\$ 100.00 per window
SDL Interior Surface 4	\$ 100.00 per window
Prairie	\$ 26.00 per window
Diamond	\$ 160.00 per window
Custom 2 Toned	\$ 150.00 per window

#### OTHER

Foam Wrap	\$ 20.00 per window
Snap on Nailing Fin No J	\$ 28.00 per window
Snap on Nailing Fin With J	\$ 28.00 per window
Mull Charge	\$ 24.00 per mullion

Test summary	NFRC	U-Factor	SAGC	CRF
Structural Rating:	Clear	0.47	0.59	45
AAMA/WDMA/CSA 101/IS2/A440-05	C50 – C80			
Air Infiltration: @ 1.56 psf ( 25 mph)	Low-E	0.32	0.31	60
Water Penetration: @ 15 psf	EnerG	0.29	0.31	59
Uniform Structural Load @ 75 psf/interior	EnerG x5	0.26	0.24	64
	No Entry			
	No Damage			



## STERGIS BELMONT Picture Window (Replacement) Architect's Specifications

**General:** Manufactured by STERGIS Windows and Doors, Attleboro, Massachusetts

**Operation:** Sash shall be a fixed unit set in a frame. Sash is re-glazable by removing the snap-in glazing bead from the inside.

**Materials:** All vinyl extrusions shall be rigid, 100% virgin uPVC. Main frame profile shall have a nominal wall thickness of .075" and shall have four tubular hollows. On oversized windows, frames shall be reinforced with aluminum.

**Frame Construction:** Frame profile shall be designed to install as a new construction unit with nailing fin and J channel or be fitted with a one piece head expander and sill angle for replacement installation. Overall frame depth shall be 3 1/4". Main frame corners shall be mitered and fusion welded with a minimum melt off of 5mm for maximum strength and leak resistance. New construction jamb depths can be met using a wood extension jamb to meet the 4 9/16" or 6 9/16" wall.

**Sash Construction:** Insulating glass shall have an overall thickness of 3/4" and a minimum 1/2" air space inside dimension. Standard glass shall be single strength 2.5mm and double strength 3.0 domestic type B float glass. Dura Seal Warm Edge glass spacer will be used to form a continuous hermetic seal around the insulated unit to encapsulate the air space. All glass lites will be installed via CBA and SIGMA standards in accordance with ASTM E773 and E774. Methods to include proper drainage, oval staggered weep system, and setting blocks with appropriate blocking.

**Available Finishes:** Shall be solid vinyl throughout in white or almond. Optional wood grain interior and custom color are optional.



**Belmont Replacement Casements/Awnings**

SIZE (united inches)	46-75ui	76-92ui	Minimum price	Feature summary
<b>White</b>	\$4.50ui	\$4.90ui	\$200.00	<ul style="list-style-type: none"> <li>• Lifetime Transferable Warranty</li> <li>• Fully welded frame and sash</li> <li>• Header and Sill expander included</li> <li>• Warm Edge Insulated Glass 3/4"</li> <li>• Truth Multi-Point Lock</li> <li>• Heavy Duty Detachable Hinges</li> <li>• Corrosion Resistant Hardware</li> <li>• SS/DS Cardinal Glass</li> <li>• Specify Nailing fin with J Channel if required</li> <li>• Over sized windows may require an additional charge for upgraded hardware</li> <li>• Full Aluminum Screen</li> </ul>
<b>Sandstone</b>	Add 10%	Add 10%	\$220.00	
<b>Laminated Exterior</b> (Bronze or Green)	Call (Pricing)	For Based on	Price Quantity)	
<b>Painted Custom Color</b> EXTERNAL ONLY (White interior)	Add 75%	Add 75%	Add 75%	
<b>Size Limitations</b>				
	<b>Casement</b>	<b>Awning</b>	<b>MAX</b>	
Minimum	15" x 15"	20" x 15"	108ui	
Maximum	36" x 72"	48" x 36"		

Double/ Triple Price as Sums of Individual Units  
HINGING IS DENOTED FROM EXTERIOR

**OPTIONS**

**GLASS**

Clear	Standard
Low-E	\$ 12.00 per sash
EnerG Performance	\$ 24.00 per sash
Obscure	\$ 14.00 per sash
Obscure Low-E	\$ 26.00 per sash
Obscure EnerG	\$ 38.00 per sash
Tempered Clear	\$ 100.00 per sash
Tempered Low-E	\$ 112.00 per sash
Tempered EnerG	\$ 124.00 per sash
Clear Obscure Tempered	\$ 114.00 per sash
Low-E Obscure Tempered	\$ 126.00 per sash
EnerG Obscure Tempered	\$ 138.00 per sash
Low-E Laminated(.030, .060, .090)	Call For Pricing

**GRIDS**

Contoured	\$ 26.00 per sash
Flat	\$ 26.00 per sash
SDL Exterior Surface 1	\$ 50.00 per sash
SDL Exterior Surface 4	\$ 50.00 per sash
Prairie	\$ 26.00 per sash
Diamond	\$ 80.00 per sash
Custom 2 Toned	\$ 75.00 per sash

**OTHER**

Folding Handle	\$ 20.00 per handle
Foam Wrap	\$ 20.00 per window
Snap on Nailing Fin No J	\$ 28.00 per window
Snap on Nailing Fin With J	\$ 28.00 per window
Mull Charge	\$ 24.00 per mullion

**SCREEN**

Full Fiberglass	Available
Full Pet	\$ 0.70 per ui

TEST SUMMARY	NFRC	U-Factor	SHGC	CRF
Structural Rating: AAMA/WDMA/CSA 101/IS2/A440-05 R50 – LC 55	Clear	0.44	0.53	42
Air infiltration : @ 1.56 psf	Low-E	0.33	0.31	55
Water Penetration : @ 12.00 psf	EnerG	0.30	0.25	55
Uniform Structural Load : @ 6.0 psf	EnerG x5	0.28	0.20	56
Uniform Load Deflection : @ 4.0 psf				
Deglazing				
Forced Resistance				



# STERGIS BELMONT

## Vinyl Casement/Awning (Replacement)

### Architect's Specifications

#### Residential and Light Commercial Applications

**General:** Manufactured by STERGIS Windows and Doors, Attleboro, Massachusetts

**Operation:** Window sash shall open out from the frame jamb by means of a roto-operator crank assembly. Sash shall pivot at the jamb on two stainless steel hinges located at the main frame head and sill. Multi-point sash locks shall be located at the jamb and shall function to both secure the opening and ensure a tight sash to jamb triple weather stripping compression seals.

**Materials:** All vinyl extrusions shall be rigid 100% virgin PVC. Main frame profiles shall have a nominal wall thickness of .075" and six tubular hollows for maximum strength, thermal efficiency, and welded corner integrity. Sash profiles shall have a nominal wall thickness of .075" and shall contain four tubular hollows.

**Frame Construction:** Frame includes a head and sill expander for replacement application's . Overall frame depth shall be 3 1/4". Window main frame corners shall be mitered and fusion welded with a minimum melt off of 5mm for maximum strength and leak resistance. Optional J channel can be factory applied

**Sash Construction:** Sash frame shall be miter cut and fusion welded with a minimum melt off of 5mm. Glazing will be secured between two co-extruded dual durometer glazing fins and a dual durometer removable snap-glazing bead. Damaged glass shall be replaceable without detaching the sash from the main frame.

**Screen Construction:** Screen wire shall be 18x16 mesh non-glare charcoal finished aluminum, securely held in place with corrugated vinyl screen spline. Frame shall be of hollow extruded design and shall include an exterior leg which forms a screen to frame overlap in the assembled unit to eliminate any perimeter gap once the screen is installed. Screen shall be secured in place with two spring loaded "L" clips at each screen jamb.

**Available Finishes:** Color shall be solid vinyl throughout in white or almond

**Glazing:** Insulating glass shall have an overall thickness of 3/4" and a minimum 1/2" air space inside dimension. Standard glass shall be single strength 2.5mm and double strength 3.0 domestic type B float glass. Dura Seal Warm Edge glass spacer will be used to form a continuous hermetic seal around the insulated unit to encapsulate the air space. All glass lites will be installed via CBA and SIGMA standards in accordance with ASTM E773 and E774. Methods to include proper drainage, oval staggered weep system, and setting blocks with appropriate blocking.

**Weather stripping:** Weather stripping shall be compression bulb type. One course shall be applied around the full sash perimeter and a second around the main frame perimeter to provide continuous double seal between the main frame and sash.



www.Stergis.com

79 Walton Street, Attleboro MA

508-455-0661 • FAX 508-455-0622 • 1-888-STERGIS

### Belmont Cellar/Hopper Windows/Vinyl Deadlites

SIZE ( united inches)	<55	56-70ui	Minimum Price	Feature summary
<b>White</b>	\$2.80ui	\$3.00ui	\$150	<ul style="list-style-type: none"> <li>• Pivoting Sash for Venting and Cleaning</li> <li>• Sloped Sill</li> <li>• 3 ¼ " Frame Depth</li> <li>• Bottom Hinge Only</li> <li>• Head expander and Sill angle included</li> <li>• Full Aluminum Screen Standard</li> </ul>
<b>Sandstone</b>	Add 10%	Add 10%	Add 10%	
<b>Laminated Exterior</b> (Bronze or Green)	Call (Pricing)	For Based On	Price Quantity)	
<b>Painted Custom Color</b> EXTERNAL ONLY (White Interior)	Add 75%	Add 75%	Add 75%	
<b>SIZE LIMITATIONS</b>				
	Minimum	16 ½" x 12"		
	Maximum Width	36"		
	Maximum Height	32 ½"		

DEADLITE	Price per ui	Feature summary
<b>White</b>	\$2.50	<p>FIXED INSERT ONLY 1 ¼" FRAME</p>
<b>Sandstone</b>	Add 10%	
<b>Laminated Exterior</b> (Bronze or Green)	Call for Pricing	
<b>Painted Custom Color</b>	Add 75%	

### OPTIONS

#### GLASS

Clear	Standard
Low-E	\$ 12.00 per sash
EnerG Performance	\$ 24.00 per sash
Obscure	\$ 14.00 per sash
Obscure Low-E	\$ 26.00 per sash
Obscure EnerG	\$ 38.00 per sash
Tempered Clear	\$ 100.00 per sash
Tempered Low-E	\$ 112.00 per sash
Tempered EnerG	\$ 124.00 per sash
Clear Obscure Tempered	\$ 114.00 per sash
Low-E Obscure Tempered	\$ 126.00 per sash
EnerG Obscure Tempered	\$ 138.00 per sash
Low-E Laminated (.030, .060, .090)	Call For Pricing

#### GRIDS

Contoured	\$ 26.00 per sash
Flat	\$ 26.00 per sash
SDL Exterior Surface 1	\$ 50.00 per sash
SDL Interior Surface 4	\$ 50.00 per sash
Prairie	\$ 26.00 per sash
Diamond	\$ 80.00 per sash
Custom 2 Toned	\$ 75.00 per sash

#### OTHER

Foam Wrap	\$ 20.00 per window
Snap on Nailing Fin No J	\$ 28.00 per window
Snap on Nailing Fin With J	\$ 28.00per window
Mull Charge	\$ 24.00 per mullion

#### SCREEN

Full Fiberglass	Standard
Full Pet	\$ 0.70 per ui



## STERGIS BELMONT Cellar/Hopper Window Architect's Specifications

**General:** Manufactured by STERGIS Windows and Doors, Attleboro, Massachusetts

**Operation:** Window shall open in from the frame top by means of a cam handle assembly. Sash shall pivot at the bottom on two stainless steel hinges located at each main frame jamb. The cam handle shall be the locking device located at the top rail sash and shall ensure tight sash to jamb weather stripping compression.

**Materials:** All vinyl extrusions shall be rigid, 100% virgin uPVC. Main frame profiles shall have a nominal wall thickness of .065" and shall be designed such that there are five tubular hollows for maximum strength, thermal efficiency and welded corner integrity.

**Frame Construction:** Frame profile shall be designed to either accept a snap-on nail fin or to be fitted with a one-piece head expander and sill angle as job conditions require. Overall frame depth shall be 3 1/4". Window main frame corners shall be mitered and fusion welded with a minimum melt off of 5mm for maximum strength and leak resistance. The main frame jambs shall contain an extruded aluminum reinforcing bar to provide a secure anchor for the hinge screws.

**Sash Construction:** Frame shall be miter cut and joined with heavy duty glass filled nylon corner keys, mechanically fastened and sealed with a siliconized latex sealant.

**Screen Construction:** Frame shall be hollow extruded design and the wire shall be 18x16 mesh non-glare charcoal finished aluminum. There will be an overlap on the edge of screen frame. Spring clips shall be installed on both jamb sides to keep screen tight to window frame.

**Available Finishes:** Shall be solid vinyl throughout in white or almond. Optional wood grain interior and custom color exterior is optional.

**Glazing:** Insulating glass shall have an overall thickness of 3/4" and a minimum 1/2" air space inside dimension. Standard glass shall be single strength 2.5mm and double strength 3.0 domestic type B float glass. Dura Seal Warm Edge glass spacer will be used to form a continuous hermetic seal around the insulated unit to encapsulate the air space. All glass lites will be installed via CBA and SIGMA standards in accordance with ASTM E773 and E774. Methods to include proper drainage, oval staggered weep system, and setting blocks with appropriate blocking.

**Weather stripping:** Weather stripping shall be two soft durometer legs applied to the perimeter of the interior face of the sash. The third piece of weather stripping shall be one course of fin type weather seal applied to the perimeter of the sash exterior.

**Hardware:** Two piece cam turn handle lock with striker. 90 degree rotation of the handle lock unlocks the vent. All exposed surfaces of hardware shall be color matched to the vinyl color selected. Locks shall be securely anchored with self-tapping screws driven through the sash rail and into an extruded aluminum reinforcing bar.



### Belmont Replacement Sliding Window

SIZE (united inches)	<80	84-100	>101	Feature summary
<b>White</b>	\$3.20ui	\$3.60ui	\$4.00ui	<ul style="list-style-type: none"> <li>• Lifetime Transferable Warranty</li> <li>• Fully welded frame and sash</li> <li>• Double Full interlock at the meeting rails</li> <li>• Header and sill expander included</li> <li>• Double Locks over 26" heights</li> <li>• ¾" Warm Edge Insulated Glass Duralite</li> <li>• Dual Tandem axle roller wheels</li> <li>• Removable Sashes for easy cleaning</li> <li>• SS/DS Cardinal Glass</li> <li>• ½ Screen Standard</li> </ul>
<b>Sandstone</b>	Add 10%	Add 10%	\$4.00ui	
<b>Laminated Exterior</b> (Bronze or Green)	Call (Pricing)	For Based On	Pricing Quantity)	
<b>Painted Custom Color</b> External Only (White Interior)	Add 75%	Add 75%	Add 75%	

#### SIZE LIMITATIONS

	Min Width	Min Height	Max Width	Max Height
2-Lite	30"	15"	80"	60"
3-Lite	46 ½"	15"	120"	60"

#### OPTIONS

##### GLASS

Clear	Standard
Low-E	\$ 12.00 per sash
EnerG Performance	\$ 24.00 per sash
Obscure	\$ 14.00 per sash
Obscure Low-E	\$ 26.00 per sash
Obscure EnerG	\$ 38.00 per sash
Tempered Clear	\$ 100.00 per sash
Tempered Low-E	\$ 112.00 per sash
Tempered EnerG	\$ 124.00 per sash
Clear Obscure Tempered	\$ 114.00 per sash
Low-E Obscure Tempered	\$ 126.00 per sash
EnerG Obscure Tempered	\$ 138.00 per sash
Low-E Laminated	\$ 100.00 per sash

##### GRIDS

Contoured	\$ 26.00 per sash
Flat	\$ 26.00 per sash
SDL Exterior Surface 1	\$ 50.00 per sash
SDL Interior Surface 4	\$ 50.00 per sash
Prairie	\$ 26.00 per sash
Diamond	\$ 80.00 per sash
Custom 2 Toned	\$ 75.00 per sash

##### OTHER

Foam Wrap	\$ 20.00 per window
Snap on Nailing Fin No J	\$ 28.00 per window
Snap on Nailing Fin With J	\$ 28.00 per window
Mull Charge	\$ 24.00 per mullion

##### SCREEN

½ Screen ( aluminum or fiberglass )	Standard
Full Aluminum	\$ 0.25 per ui
Full Fiberglass	\$ 0.25 per ui
Full Pet	\$ 0.70 per ui

TEST SUMMARY	NFRC	U-Factor	SHGC	CRF
Structural Rating: AAMA/WDMA/CSA 101/IS2/A440-05 R 25 – R50	Clear Glass	0.47	0.55	43
Air infiltration: @ 1.56 psf (25 mph)	Low-E	0.34	0.36	56
Water Penetration: @ 5.25 psf	EnerG	0.30	0.36	56
Uniform Structural Load: @ 5.25 psf	EnerG x5	0.28	0.22	60
Uniform Load Deflection @ 35 psf				
Deglazed				
Forced Entry Resistance				





## STERGIS BELMONT Welded Slider Architect's Specifications

**General:** Manufactured by STERGIS Windows and Doors, Attleboro, Massachusetts

**Operation:** The sliding window shall be of two track design and have two operating sash. In the closed position, sashes shall interlock to provide a full height weather seal. Cam-type locks shall be used to secure sash. Both sash shall lift out for easy cleaning. Half screen shall be standard and located on the outside channel.

**Materials:** All vinyl extrusions shall be rigid, 100% virgin PVC. Main frame jambs shall have a nominal wall thickness of .065" and include four tubular hollows. Sash profiles shall have a nominal wall thickness of .065" and contain three tubular hollows. Sash profiles shall have four non-rigid PVC glazing legs in the glazing pocket.

**Frame Construction:** The frame and the head and sill will be miter cut and fusion welded with a minimum melt off of 5mm. The frame sill shall contain two sash track inserts and a screen track on the exterior. Frame minimum wall thickness shall be .065". Frame depth shall be 3 1/4". Frame profile shall accept either a slide-in nail fin or an adjustable head expander and sill angle as job conditions require.

**Sash Construction:** Sash frame shall be miter cut and fastened with an injection molded corner key. Each sash shall have an integral pull rail which will be the full height of sash. Lock and keeper shall be applied to vertical center rails. Two ball bearing rollers per sash shall be recessed into bottom rail. Sash interlock shall be slide type providing a tight weather seal. Reinforcing shall be installed at the sash meeting rails. Heights 48 1/4" to 60" shall have reinforcing installed in all sash heights. Two-lite units over 72" wide or greater or three lite units 108 1/4" or greater shall have reinforcing installed in all sash widths.

**Available Finishes:** Shall be solid vinyl throughout in white or almond.

**Screen Construction:** Half-screen standard. Frame shall be of hollow extruded design with a .055" wall thickness. Wire cloth shall be 18x16 mesh non-glare charcoal finished aluminum. Corners will be staked with die cast corners.

**Glazing:** Insulating glass shall have an overall thickness of 3/4" and a minimum 1/2" air space inside dimension. Standard glass shall be single strength 2.5mm and double strength 3.0 domestic type B float glass. Dura Seal Warm Edge glass spacer will be used to form a continuous hermetic seal around the insulated unit to encapsulate the air space. All glass lites will be installed via CBA and SIGMA standards in accordance with ASTM E773 and E774. Methods to include proper drainage, oval staggered weep system, and setting blocks with appropriate blocking.

**Weather stripping:** Shall be full perimeter, double fin-type weather seal on sash. The meeting rail shall be a triple seal interlock, consisting of one piece fin type weather seal on each rail and one bulb type seal the full height of the interlock.

**Hardware:** Rollers on bottom of sash to be ball bearing in injection molded housings. Sash locks shall be cam-type and finished to match the vinyl extrusion color.



**Windgate New Construction Double Hung**

SIZE (united inches)	<83	84-100	>101	Feature summary
<b>White</b>	\$ 240	\$ 260	\$ 3.50ui	<ul style="list-style-type: none"> <li>• Lifetime Transferable Warranty</li> <li>• Full Aluminum or Fiberglass Screen</li> <li>• Fully welded frame and sash</li> <li>• Stainless Steel Coastal Hardware</li> <li>• Double locks over 26" widths</li> <li>• Double weather-stripped sash</li> <li>• ¾" Warm Edge Insulated Glass Duralite</li> <li>• Tilting sash for easy cleaning</li> <li>• DS/SS Cardinal Glass</li> </ul>
<b>Sandstone</b>	Add 10%	Add 10%	Add 10%	
<b>Laminated Exterior</b> ( Bronze or Green)	Call (Pricing)	For Based On	Pricing Quantity)	
<b>Painted Custom Color</b> EXTERNAL ONLY (White interior)	Add 75%	Add 75%	Add 75%	
<b>SIZE LIMITATIONS</b>				
Minimum Width	16"	Minimum Height	24"	
Maximum Width	46"	Maximum Height	76"	
Recommended Uses: Residential and Light Commercial				

**OPTIONS**

**GLASS**

Clear	Standard
Low-E	\$ 12.00 per sash
EnerG Performance	\$ 24.00 per sash
Obscure	\$ 14.00 per sash
Obscure Low-E	\$ 26.00 per sash
Obscure EnerG	\$ 38.00 per sash
Tempered Clear	\$ 100.00 per sash
Tempered Low-E	\$ 112.00 per sash
Tempered EnerG	\$ 124.00 per sash
Clear Obscure Tempered	\$ 114.00 per sash
Low-E Obscure Tempered	\$ 126.00 per sash
EnerG Obscure Tempered	\$ 138.00 per sash
Low-E Laminated (.030, .060, .090)	Call for Pricing

**GRIDS**

Contoured	\$ 26.00 per sash
Flat	\$ 26.00 per sash
SDL Exterior Surface 1	\$ 50.00 per sash
SDL Interior Surface 4	\$ 50.00 per sash
Prairie	\$ 26.00 per sash
Diamond	\$ 80.00 per sash
Custom 2 Toned	\$ 75.00 per sash

**SCREENS**

Half Screens	Available
Half Pet	\$ 0.70 per ui
Full Pet	\$ 0.70 per ui

**OTHER**

NE Flat Casing 3 ½ - No Sill	\$ 90.00 per window
NE Flat Casing 3 ½ - With Sill	\$ 100.00 per window
Salem Trim No Sill	\$ 90.00 per window
Salem Trim With Sill	\$ 100.00 per window
4 9/16" Primed Extension Jamb	\$ 40.00 per window
6 9/16" Primed Extension Jamb	\$ 60.00 per window
Custom Size Extension Jamb	Available
Dry Wall Return Adapter (4 Sides)	\$ 15.00 per window
Foam Wrap	\$ 20.00 per window
J Channel Filler	\$ 15.00 per window
Mull Charge	\$ 20.00 per mullion
0 Degree Structural Mull ½"	\$ 75.00 per mullion

	NFRC	U-Factor	SHGC	CRF
R35 – R50	Clear	0.47	0.56	43
0.14 cfm /ft2 No Entry	Low-E	0.33	0.26	55
No Damage No Damage	EnerG	0.29	0.26	55
Pass Pass L 10	EnerG x5	0.27	0.22	64



# STERGIS WINDGATE

## Double Hung (New Construction)

### Architect's Specifications

**General:** Manufactured by STERGIS Windows and Doors, Attleboro, Massachusetts

**Operation:** Sash shall be counterbalanced to remain as placed during window operation. Both sash shall tilt inwards for cleaning exterior glass surface. The top sash stiles shall be fitted with two security latches which, when extended, shall prevent the bottom sash from being opened more than three inches. Sash locks shall function to secure the opening and, through a cam-action mechanism, draw the interlocking meeting rails together for a tight seal. Window screens shall be of side load design and include provisions for spring loaded latches located at each end of the bottom rail.

**Materials:** All vinyl extrusions shall be rigid, 100% virgin uPVC. The jambs shall have a nominal wall thickness of .065" and shall include five tubular hollows for maximum strength and thermal efficiency. The sill shall have a nominal wall thickness of .065" and shall contain multiple hollows for strength. Sash profiles shall have a nominal wall thickness of .065". The interlock meeting rail will be reinforced with tempered aluminum to which the locks are firmly secured. Sash lift rails shall be integral to the sash extrusion. Sash meeting rails shall include an integral leg, which shall provide positive meeting rail interlock in the assembled unit.

**Frame Construction:** Frame profile shall be designed to install as a new construction with nailing fin and integral J channel. Overall frame depth shall be 3 1/4". Window main frame header will be miter cut and welded with a minimum melt off of 5mm. The sill will be compound cut and welded construction for positive seal and esthetics. Drain weeps under the screen track will provide a quicker drainage of the sloped sill without compromise to performance.

**Sash Construction:** Sash frame shall be miter cut and fusion welded at the corners. Each welded sash top rail shall conceal a self-aligning spring-loaded sash release latch. Each welded sash shall have recessed, heavy wall pivot bars screwed in place by stainless screws at the bottom sash corners. Glazing shall be secured in place with a dual-durometer snap in a glazing bead along the exterior perimeter of sash. Widths 30 1/4" to 36 1/8" shall have steel reinforcements at the meeting rails. Widths from 36 1/4" to 48" shall have reinforcements at all sash horizontals. Heights from 72" shall have reinforcements at all sash verticals.

**Available Finishes:** Shall be solid vinyl throughout in white or Almond.

**Screen Construction:** Full Screen standard. Frame shall be of hollow extruded design with a .055" wall thickness and the wire shall be 18x16 mesh non-glare charcoal finished aluminum. Corners will be staked with die cast corners. The bottom rail shall have a spring loaded release latch on each side to lock the screen in place. The locking device will engage into the master frame wall and not be visible from the exterior.

**Glazing:** Insulating glass shall have an overall thickness of 3/4" and a minimum 1/2" air space inside dimension. Standard glass shall be single strength 2.5mm and double strength 3.0 domestic type B float glass. Dura Seal Warm Edge glass spacer will be used to form a continuous hermetic seal around the insulated unit to encapsulate the air space. All glass lites will be installed via CBA and SIGMA standards in accordance with ASTM E773 and E774. Methods to include proper drainage, oval staggered weep system, and setting blocks with appropriate blocking.

**Weather stripping:** A minimum of two courses of solid barrier fin-type weather stripping shall be applied at the crack perimeter (excluding sill) of the window. The bottom sash rail shall fit the sill so that two fin and one closed-cell bulb weather seals engage completely. The interlock will consist of two weather seals attached to the full interlock from jamb to jamb

**Hardware:** Sash balances shall be factory calibrated block and tackle balances. Balance cords shall be anchored to the head of the jamb by use of a stainless steel clip. The slide shoe (balance shoe) will be attached directly to the balance assembly and ride with the sash in a vertical movement. The sash pivot bar will engage the balance shoe and lock the sash with in a consistent hold to the jamb allowing for no distorting during handling and installation. Sash locks shall be cam type and finished to match the vinyl extrusion color. Locks shall be securely anchored with color matched, self-tapping screws driven through the sash rail and into an extruded aluminum-reinforcing bar. Double locks on opening widths 30 1/4" or greater.

**Weather stripping:** A minimum of two courses of solid barrier fin-type weather stripping shall be applied at the crack perimeter (excluding sill) of the window. The bottom sash rail shall fit the sill so that two fin and one closed-cell bulb weather seals engage completely. The interlock will consist of two weather seals attached to the full interlock from jamb to jamb

**Hardware:** Sash balances shall be factory calibrated block and tackle balances. Balance cords shall be anchored to the head of the jamb by use of a stainless steel clip. The slide shoe (balance shoe) will be attached directly to the balance assembly and ride with the sash in a vertical movement. The sash pivot bar will engage the balance shoe and lock the sash with in a consistent hold to the jamb allowing for no distorting during handling and installation. Sash locks shall be cam type and finished to match the vinyl extrusion color. Locks shall be securely anchored with color matched, self-tapping screws driven through the sash rail and into an extruded aluminum-reinforcing bar. Double locks on opening widths 30 1/4" or greater.



**Windgate New Construction Single Hung**

SIZE (united inches)	<83	84-100	>101	Feature summary
<b>White</b>	\$ 230	\$ 250	\$ 3.50ui	<ul style="list-style-type: none"> <li>• Lifetime Transferable Warranty</li> <li>• Aluminum Half Screen</li> <li>• Fully welded frame and sash</li> <li>• Stainless Steel Coastal Hardware</li> <li>• Double locks over 26" widths</li> <li>• Double weather-stripped sash</li> <li>• ¾" Warm Edge Insulated Glass Duralite</li> <li>• Tilting sash for easy cleaning</li> <li>• DS/SS Cardinal Glass</li> </ul>
<b>Sandstone</b>	Add 10%	Add 10%	Add 10%	
<b>Laminated Exterior</b> ( Bronze or Green)	Call (Pricing)	For Based On	Pricing Quantity)	
<b>Painted Custom Color</b> EXTERNAL ONLY (White interior)	Add 75%	Add 75%	Add 75%	
<b>SIZE LIMITATIONS</b>				
Minimum Width	16"	Minimum Height	24"	
Maximum Width	46"	Maximum Height	76"	
Recommended Uses: Residential and Light Commercial				

**OPTIONS**

**GLASS**

Clear	Standard
Low-E	\$ 12.00 per sash
EnerG Performance	\$ 24.00 per sash
Obscure	\$ 14.00 per sash
Obscure Low-E	\$ 26.00 per sash
Obscure EnerG	\$ 38.00 per sash
Tempered Clear	\$ 100.00 per sash
Tempered Low-E	\$ 112.00 per sash
Tempered EnerG	\$ 124.00 per sash
Clear Obscure Tempered	\$ 114.00 per sash
Low-E Obscure Tempered	\$ 126.00 per sash
EnerG Obscure Tempered	\$ 138.00 per sash
Low-E Laminated (.030, .060,.090)	Call for Pricing

**GRIDS**

Contoured	\$ 26.00 per sash
Flat	\$ 26.00 per sash
SDL Exterior Surface 1	\$ 50.00 per sash
SDL Interior Surface 4	\$ 50.00 per sash
Prairie	\$ 26.00 per sash
Diamond	\$ 80.00 per sash
Custom 2 Toned	\$ 75.00 per sash

**SCREENS**

Half Fiberglass	Available
Half Pet	\$ 0.70 per ui

**OTHER**

NE Flat Casing 3 ½ - No Sill	\$ 90.00 per window
NE Flat Casing 3 ½ - With Sill	\$ 100.00 per window
Salem Trim No Sill	\$ 90.00 per window
Salem Trim With Sill	\$ 100.00 per window
4 9/16" Primed Extension Jamb	\$ 40.00 per window
6 9/16" Primed Extension Jamb	\$ 60.00 per window
Custom Size Extension Jamb	Available
Dry Wall Return Adapter (4 Sides)	\$ 15.00 per window
Foam Wrap	\$ 20.00 per window
J Channel Filler	\$ 15.00 per window
Mull Charge	\$ 20.00 per mullion
0 Degree Structural Mull ½"	\$ 75.00 per mullion

**TEST SUMMARY**

	NFRC	U-Factor	SHG C	CRF
Structural Rating: AAMA/WDMA/CSA 101/IS2/A440-05 R35 – R50	Clear	0.47	0.56	43
Air infiltration: @ 1.56 psf (mph) 0.14 cfm /ft2	Low-E	0.33	0.26	55
Water Penetration: @ 6 psf No Entry	EnerG	0.29	0.26	55
Uniform Structural Load: @ 40 psf No Damage	EnerG x5	0.27	0.22	64
Uniform Load Deflection: @ 60 psf No Damage				
Deglazing Pass				
Forced Entry Resistance Pass L				



# STERGIS WINDGATE

## Single Hung (New Construction)

### Architect's Specifications

**General:** Manufactured by STERGIS Windows and Doors, Attleboro, Massachusetts

**Operation:** Sash shall be counterbalanced to remain as placed during window operation. Bottom sash shall tilt inwards for cleaning exterior glass surface. The top sash stiles shall be fitted with two security latches which, when extended, shall prevent the bottom sash from being opened more than three inches. Sash locks shall function to secure the opening and, through a cam-action mechanism, draw the interlocking meeting rails together for a tight seal. Window screens shall be of side load design and include provisions for spring loaded latches located at each end of the bottom rail.

**Materials:** All vinyl extrusions shall be rigid, 100% virgin uPVC. The jambs shall have a nominal wall thickness of .065" and shall include five tubular hollows for maximum strength and thermal efficiency. The sill shall have a nominal wall thickness of .065" and shall contain multiple hollows for strength.. Sash profiles shall have a nominal wall thickness of .065". The interlock meeting rail will be reinforced with tempered aluminum to which the locks are firmly secured. Sash lift rails shall be integral to the sash extrusion. Sash meeting rails shall include an integral leg, which shall provide positive meeting rail interlock in the assembled unit.

**Frame Construction:** Frame profile shall be designed to install as a new construction with nailing fin and integral J channel . Overall frame depth shall be 3 1/4". Window main frame header will be miter cut and welded with a minimum melt off of 5mm. The sill will be compound cut and welded construction for positive seal and esthetics. Drain weeps under the screen track will provide a quicker drainage of the sloped sill without compromise to performance.

**Sash Construction:** Sash frame shall be miter cut and fusion welded at the corners. The bottom welded sash top rail shall conceal a self-aligning spring-loaded sash release latch. Each welded sash shall have recessed, heavy wall pivot bars screwed in place by stainless screws at the bottom sash corners. Glazing shall be secured in place with a dual-durometer snap in a glazing bead along the exterior perimeter of sash. Widths 30 1/4" to 36 1/8" shall have steel reinforcements at the meeting rails. Widths from 36 1/4" to 48" shall have reinforcements at all sash horizontals. Heights from 72" shall have reinforcements at all sash verticals.

**Available Finishes:** Shall be solid vinyl throughout in white or Almond.

**Screen Construction:** Full Screen standard. Frame shall be of hollow extruded design with a .055" wall thickness and the wire shall be 18x16 mesh non-glare charcoal finished aluminum. Corners will be staked with die cast corners. The bottom rail shall have a spring loaded release latch on each side to lock the screen in place. The locking device will engage into the master frame wall and not be visible from the exterior.

**Glazing:** Insulating glass shall have an overall thickness of 3/4" and a minimum 1/2" air space inside dimension. Standard glass shall be single strength 2.5mm and double strength 3.0 domestic type B float glass. Dura Seal Warm Edge glass spacer will be used to form a continuous hermetic seal around the insulated unit to encapsulate the air space. All glass lites will be installed via CBA and SIGMA standards in accordance with ASTM E773 and E774. Methods to include proper drainage, oval staggered weep system, and setting blocks with appropriate blocking.

**Weather stripping:** A minimum of two courses of solid barrier fin-type weather stripping shall be applied at the crack perimeter (excluding sill) of the window. The bottom sash rail shall fit the sill so that two fin and one closed-cell bulb weather seals engage completely. The interlock will consist of two weather seals attached to the full interlock from jamb to jamb

**Hardware:** Sash balances shall be factory calibrated block and tackle balances. Balance cords shall be anchored to the head of the jamb by use of a stainless steel clip. The slide shoe (balance shoe) will be attached directly to the balance assembly and rid with the sash in a vertical movement. The sash pivot bar will engage the balance shoe and lock the sash with in a consistent hold to the jamb allowing for no distorting during handling and installation. Sash locks shall be cam type and finished to match the vinyl extrusion color. Locks shall be securely anchored with color matched, self-tapping screws driven through the sash rail and into an extruded aluminum-reinforcing bar. Double locks on opening widths 30 1/4" or greater.



**Windgate New Construction Picture/Transom Window**

SIZE (united inches)	<55ui	56-150ui	Feature summary
<b>White</b>	\$2.80ui	\$3.60ui	<ul style="list-style-type: none"> <li>• Welded Frames with Internal Glazing</li> <li>• Warm Edge Insulated Glass</li> <li>• 3 ¼" Frame</li> <li>• Accessory Grooves Inside &amp; Outside</li> <li>• Beveled exterior / Contoured Interior</li> <li>• SS/DS Cardinal Glass</li> <li>• Head and Sill Angle Included</li> </ul>
<b>Sandstone</b>	Add 10%	Add 10%	
<b>Laminated Exterior</b> (Bronze or Green)	Call For Quote (Pricing Based	On Quantity)	
<b>Painted Custom Color</b> EXTERNAL ONLY (White interior)	Add 75%	Add 75%	
<b>SIZE LIMITATIONS</b>			
Minimum Size 14" x 14"	Maximum ui:		
Maximum Size 64" x 84"	148		

**OPTIONS**

**GLASS**

Clear	Standard
Low-E	\$ 12.00 per sash
EnerG Performance	\$ 24.00 per sash
Obscure	\$ 14.00 per sash
Obscure Low-E	\$ 26.00 per sash
Obscure EnerG	\$ 38.00 per sash
Tempered Clear	\$ 100.00 per sash
Tempered Low-E	\$ 112.00 per sash
Tempered EnerG	\$ 124.00 per sash
Clear Obscure Tempered	\$ 114.00 per sash
Low-E Obscure Tempered	\$ 126.00 per sash
EnerG Obscure Tempered	\$ 138.00 per sash
Low-E Laminated (.030, .060, .090)	Call for Pricing

**OTHER**

NE Flat Casing 3 ½ - No Sill	\$ 90.00 per window
NE Flat Casing 3 ½ - With Sill	\$ 100.00 per window
Salem Trim No Sill	\$ 90.00 per window
Salem Trim With Sill	\$ 100.00 per window
4 9/16" Primed Extension Jamb	\$ 40.00 per window
6 9/16" Primed Extension Jamb	\$ 60.00 per window
Custom Size Extension Jamb	Available
Dry Wall Return Adapter (4 Sides)	\$ 15.00 per window
Foam Wrap	\$ 20.00 per window
J Channel Filler	\$ 15.00 per window
Mull Charge	\$ 20.00 per mullion
0 Degree Structural Mull ½"	\$ 75.00 per mullion

**GRIDS**

Contoured	\$ 52.00 per sash
Flat	\$ 52.00 per sash
SDL Exterior Surface 1	\$ 100.00 per sash
SDL Interior Surface 4	\$ 100.00 per sash
Prairie	\$ 52.00 per sash
Diamond	\$ 160.00 per sash
Custom 2 Toned	\$ 150.00 per sash

**TEST SUMMARY**

TEST SUMMARY	NFRC	U-Factor	SHGC	CRF
Structural Rating: AAMA/WDMA/CSA 101/IS2/A440-05 C50 – C80	Clear	0.47	0.59	45
Air Infiltration: @ 1.56 psf ( 25 mph) .02 cfm/ ft <sup>2</sup>	Low-E	0.32	0.31	60
Water Penetration: @ 15 psf No Entry	EnerG	0.29	0.31	59
Uniform Structural Load @ 75 psf/interior No Damage	EnerG x5	0.26	0.24	64



## STERGIS WINDGATE

### Picture Window/Transom (New Construction) Architect's Specifications

**General:** Manufactured by STERGIS Windows and Doors, Attleboro, Massachusetts

**Operating:** Sash shall be a fixed unit set in a frame. Sash is re-glazable by removing the snap-in glazing bead from the inside.

**Materials:** All vinyl extrusions shall be rigid 100% virgin uPVC. Main frame profile shall have a nominal wall thickness of .075" and shall have four tubular hollows. On oversized windows, frames shall be reinforced with aluminum.

**Frame Construction:** Frame profile shall be designed to install as a new construction unit with nailing fin and J channel or be fitted with a one piece head expander and sill angle for replacement installation. Overall frame depth shall be 3 1/4". Main frame corners shall be mitered and fusion welded with a minimum melt off of 5mm for maximum strength and leak resistance. New construction jamb depths can be met using a wood extension jamb to meet the 4 9/16" or 6 9/16" wall.

**Glazing:** Insulating glass shall have an overall thickness of 3/4" and a minimum 1/2" air space inside dimension. Standard glass shall be single strength 2.5mm and double strength 3.0 domestic type B float glass. Dura Seal Warm Edge glass spacer will be used to form a continuous hermetic seal around the insulated unit to encapsulate the air space. All glass lites will be installed via CBA and SIGMA standards in accordance with ASTM E773 and E774. Methods to include proper drainage, oval staggered weep system, and setting blocks with appropriate blocking.

**Available Finishes:** Shall be solid vinyl throughout in white or almond. Optional wood grain interior and custom color exterior is optional.



www.Stergis.com

79 Walton Street, Attleboro MA

508-455-0661 • FAX 508-455-0622 • 1-888-STERGIS

**Windgate New Construction Casements/Awnings**

SIZE (united inches)	46-75ui	76-92ui	Minimum price	Feature summary
<b>White</b>	\$4.50ui	\$4.90ui	\$200.00	<ul style="list-style-type: none"> <li>Lifetime Transferable Warranty</li> <li>Fully welded frame and sash</li> <li>Header and Sill expander included</li> <li>Warm Edge Insulated Glass ¾ "</li> <li>Truth Multi-Point Lock</li> <li>Heavy Duty Detachable Hinges</li> <li>Corrosion Resistant Hardware</li> <li>SS/DS Cardinal Glass</li> <li>Specify Nailing fin with J Channel if required</li> <li>Over sized windows may require an additional charge for upgraded hardware</li> <li>Full Aluminum Screen</li> </ul>
<b>Sandstone</b>	Add 10%	Add 10%	\$220.00	
<b>Laminated Exterior</b> (Bronze or Green)	Call (Pricing)	For Based on	Price Quantity)	
<b>Painted Custom Color</b> EXTERNAL ONLY (White interior)	Add 75%	Add 75%	Add 75%	
<b>Size Limitations</b>	<b>Casement</b>	<b>Awning</b>	<b>MAX</b>	
Minimum	15" x 15"	20" x 15"	108ui	
Maximum	36" x 72"	48" x 36"		

Double/ Triple Price as Sums of Individual Units  
HINGING IS DENOTED FROM EXTERIOR

**OPTIONS**

**GLASS**

Clear	Standard
Low-E	\$ 12.00 per sash
EnerG Performance	\$ 24.00 per sash
Obscure	\$ 14.00 per sash
Obscure Low-E	\$ 26.00 per sash
Obscure EnerG	\$ 38.00 per sash
Tempered Clear	\$ 100.00 per sash
Tempered Low-E	\$ 112.00 per sash
Tempered EnerG	\$ 124.00 per sash
Clear Obscure Tempered	\$ 114.00 per sash
Low-E Obscure Tempered	\$ 126.00 per sash
EnerG Obscure Tempered	\$ 138.00 per sash
Low-E Laminated (.030, .060,.090)	Call for Pricing

**GRIDS**

Contoured	\$ 26.00 per sash
Flat	\$ 26.00 per sash
SDL Exterior Surface 1	\$ 50.00 per sash
SDL Interior Surface 4	\$ 50.00 per sash
Prairie	\$ 26.00 per sash
Diamond	\$ 80.00 per sash
Custom 2 Toned	\$ 75.00 per sash

**SCREENS**

Full Fiberglass	Available
Full Pet	\$ 0.70 per ui

**OTHER**

NE Flat Casing 3 ½ - No Sill	\$ 90.00 per window
NE Flat Casing 3 ½ - With Sill	\$ 100.00 per window
Salem Trim No Sill	\$ 90.00 per window
Salem Trim With Sill	\$ 100.00 per window
4 9/16" Primed Extension Jamb	\$ 40.00 per window
6 9/16" Primed Extension Jamb	\$ 60.00 per window
Custom Size Extension Jamb	Available
Dry Wall Return Adapter (4 Sides)	\$ 15.00 per window
Foam Wrap	\$ 20.00 per window
J Channel Filler	\$ 15.00 per window
Mull Charge	\$ 20.00 per mullion
0 Degree Structural Mull ½"	\$ 75.00 per mullion
Folding Handle	\$ 20.00 per handle

**TEST SUMMARY**

TEST SUMMARY	NFRC	U-Factor	SHGC	CRF
Structural Rating: AAMA/WDMA/CSA 101/IS2/A440-05 R 50 - LC-55	Clear	0.44	0.53	42
Air infiltration : @ 1.56 psf 0.04 cfm /ft2	Low-E	0.33	0.31	55
Water Penetration : @ 12.00 psf No Entry	EnerG	0.30	0.25	55
Uniform Structural Load : @ 6.0 psf No Damage	EnerG x5	0.28	0.20	56
Uniform Load Deflection : @ 4.0 psf No Damage				
Deglazing Pass				
Forced Resistance Pass				





# STERGIS WINDGATE

## Vinyl Casement/Awning (New Construction)

### Architect's Specifications

#### Residential and Light Commercial Applications

**General:** Manufactured by STERGIS Windows and Doors, Attleboro, Massachusetts

**Operation:** Window sash shall open out from the frame jamb by means of a truth-operator crank assembly. Sash shall pivot at the jamb on two stainless steel hinges located at the main frame head and sill. Multi-point sash locks shall be located at the jamb and shall function to both secure the opening and ensure a tight sash to jamb triple weather stripping compression seals.

**Materials:** All vinyl extrusions shall be rigid 100% virgin PVC. Main frame profiles shall have a nominal wall thickness of .075" and six tubular hollows for maximum strength, thermal efficiency, and welded corner integrity. Sash profiles shall have a nominal wall thickness of .075" and shall contain four tubular hollows.

**Frame Construction:** Frame provides a new construction fin . Overall frame depth shall be 3 1/4". Window main frame corners shall be mitered and fusion welded with a minimum melt off of 5mm for maximum strength and leak resistance. Optional J channel can be factory applied

**Sash Construction:** Sash frame shall be miter cut and fusion welded with a minimum melt off of 5mm. Glazing will be secured between two co-extruded dual durometer glazing fins and a dual durometer removable snap-glazing bead. Damaged glass shall be replaceable without detaching the sash from the main frame.

**Screen Construction:** Screen wire shall be 18x16 mesh non-glare charcoal finished aluminum, securely held in place with corrugated vinyl screen spline. Frame shall be of hollow extruded design and shall include an exterior leg which forms a screen to frame overlap in the assembled unit to eliminate any perimeter gap once the screen is installed. Screen shall be secured in place with two spring loaded "L" clips at each screen jamb.

**Available Finishes:** Color shall be solid vinyl throughout in white or almond

**Glazing:** Insulating glass shall have an overall thickness of 3/4" and a minimum 1/2" air space inside dimension. Standard glass shall be single strength 2.5mm and double strength 3.0 domestic type B float glass. Dura Seal Warm Edge glass spacer will be used to form a continuous hermetic seal around the insulated unit to encapsulate the air space. All glass lites will be installed via CBA and SIGMA standards in accordance with ASTM E773 and E774. Methods to include proper drainage, oval staggered weep system, and setting blocks with appropriate blocking.

**Weather stripping:** Weather stripping shall be compression bulb type. One course shall be applied around the full sash perimeter and a second around the main frame perimeter to provide continuous double seal between the main frame and sash.



**Windgate New Construction Sliding Window**

SIZE(untied inches)	<80	81-100	>101	Feature summary
<b>White</b>	\$3.20ui	\$3.60ui	\$4.00ui	<ul style="list-style-type: none"> <li>• Lifetime Transferable Warranty</li> <li>• Fully welded frame and sash</li> <li>• Double Full interlock at the meeting rails</li> <li>• Header and sill expander included</li> <li>• Double Locks over 26" heights</li> <li>• ¾" Warm Edge Insulated Glass Duralite</li> <li>• Dual Tandem axle roller wheels</li> <li>• Removable Sashes for easy cleaning</li> <li>• SS/DS Cardinal Glass</li> <li>• ½ Screen Standard</li> </ul>
<b>Sandstone</b>	Add 10%	Add 10%	\$4.00ui	
<b>Laminated Exterior</b> (Bronze or Green)	Call (Pricing	For Based On	Pricing Quantity)	
<b>Painted Custom Color</b> External Only (White Interior)	Add 75%	Add 75%	Add 75%	

**SIZE LIMITATIONS**

	Minimum Width	Minimum Height	Maximum Width	Maximum Height
2-Lite	30"	15"	80"	60"
3-Lite	46 ½"	15"	120"	60"

**OPTIONS**

**GLASS**

Clear	Standard
Low-E	\$ 12.00 per sash
EnerG Performance	\$ 24.00 per sash
Obscure	\$ 14.00 per sash
Obscure Low-E	\$ 26.00 per sash
Obscure EnerG	\$ 38.00 per sash
Tempered Clear	\$ 100.00 per sash
Tempered Low-E	\$ 112.00 per sash
Tempered EnerG	\$ 124.00 per sash
Clear Obscure Tempered	\$ 114.00 per sash
Low-E Obscure Tempered	\$ 126.00 per sash
EnerG Obscure Tempered	\$ 138.00 per sash
Low-E Laminated (.030, .060,.090)	Call for Pricing

**GRIDS**

Contoured	\$ 26.00 per sash
Flat	\$ 26.00 per sash
SDL Exterior Surface 1	\$ 50.00 per sash
SDL Interior Surface 4	\$ 50.00 per sash
Prairie	\$ 26.00 per sash
Diamond	\$ 80.00 per sash
Custom 2 Toned	\$ 75.00 per sash

**SCREENS**

Half Pet	\$ 0.70 per ui
Full Pet	\$ 0.70 per ui
Full Aluminum or Fiberglass	\$ 15.00

**OTHER**

NE Flat Casing 3 ½ - No Sill	\$ 90.00 per window
NE Flat Casing 3 ½ - With Sill	\$ 100.00 per window
Salem Trim No Sill	\$ 90.00 per window
Salem Trim With Sill	\$ 100.00 per window
4 9/16" Primed Extension Jamb	\$ 40.00 per window
6 9/16" Primed Extension Jamb	\$ 60.00 per window
Custom Size Extension Jamb	Available
Dry Wall Return Adapter (4 Sides)	\$ 15.00 per window
Foam Wrap	\$ 20.00 per window
J Channel Filler	\$ 15.00 per window
Mull Charge	\$ 20.00 per mullion
0 Degree Structural Mull ½"	\$ 75.00 per mullion

**TEST SUMMARY**

	NFRC	U-Factor	SHGC	CRF
Structural Rating: AAMA/WDMA/CSA 101/IS2/A440-05 R 25 – R 50	Clear	0.47	0.55	43
Air infiltration: @ 1.56 psf (25 mph) 0.13 fm / t2	Low-E	0.34	0.36	56
Water Penetration: @ 5.25 psf No Entry	EnerG	0.30	0.36	56
Uniform Structural Load: @ 5.25 psf No Damage	EnerG x5	0.28	0.22	60
Uniform Load Deflection @ 35 psf No Damage				
Deglazed Pass				
Forced Entry Resistance Pass				



# STERGIS WINDGATE

## Welded Slider (New Construction)

### Architect's Specifications

**General:** Manufactured by STERGIS Windows and Doors, Attleboro, Massachusetts

**Operation:** The sliding window shall be of two track design and have two operating sash. In the closed position, sashes shall interlock to provide a full height weather seal. Cam-type locks shall be used to secure sash. Both sash shall lift out for easy cleaning. Half screen shall be standard and located on the outside channel.

**Materials:** All vinyl extrusions shall be rigid, 100% virgin PVC. Main frame jambs shall have a nominal wall thickness of .065" and include four tubular hollows. Sash profiles shall have a nominal wall thickness of .065" and contain three tubular hollows. Sash profiles shall have four non-rigid PVC glazing legs in the glazing pocket.

**Frame Construction:** The frame is fabricated with a Nailing fin and integral J channel for new construction. The frame and the head and sill will be miter cut and fusion welded with a minimum melt off of 5mm. The frame sill shall contain two sash track inserts and a screen track on the exterior. Frame minimum wall thickness shall be .065". Frame depth shall be 3 1/4". An extension jamb will be used to fill the wall depth for 4 9/16" or 6 9/16".

**Sash Construction:** Sash frame shall be miter cut and fastened with an injection molded corner key. Each sash shall have an integral pull rail which will be the full height of sash. Lock and keeper shall be applied to vertical center rails. Two ball bearing rollers per sash shall be recessed into bottom rail. Sash interlock shall be slide type providing a tight weather seal. Reinforcing shall be installed at the sash meeting rails. Heights 48 1/4" to 60" shall have reinforcing installed in all sash heights. Two-lite units over 72" wide or greater or three lite units 108 1/4" or greater shall have reinforcing installed in all sash widths.

**Available Finishes:** Shall be solid vinyl throughout in white or almond.

**Screen Construction:** Full-screen standard. Frame shall be of hollow extruded design with a .055" wall thickness. Wire cloth shall be 18x16 mesh non-glare charcoal finished aluminum. Corners will be staked with die cast corners.

**Glazing:** Insulating glass shall have an overall thickness of 3/4" and a minimum 1/2" air space inside dimension. Standard glass shall be single strength 2.5mm and double strength 3.0 domestic type B float glass. Dura Seal Warm Edge glass spacer will be used to form a continuous hermetic seal around the insulated unit to encapsulate the air space. All glass lites will be installed via CBA and SIGMA standards in accordance with ASTM E773 and E774. Methods to include proper drainage, oval staggered weep system, and setting blocks with appropriate blocking.

**Weather stripping:** Shall be full perimeter, double fin-type weather seal on sash. The meeting rail shall be a triple seal interlock, consisting of one piece fin type weather seal on each rail and one bulb type seal the full height of the interlock.

**Hardware:** Rollers on bottom of sash to be ball bearing in injection molded housings. Sash locks shall be cam-type and finished to match the vinyl extrusion color.



## Windgate Architectural Shapes New Construction

*Half Circle and Quarter Circle windows are manufactured to fit above all Windgate Double Hung Windows and Casement windows.*

Stock size	R.O.	Cost	Grids	Low-E	ACTIV™ Glass	Argon	4 9/16" Ext Jamb	6 9/16" Ext Jamb	2 1/2" Colonial Casing (PVC)	3 1/4" Colonial Casing (PVC)	3 1/2" x 1" Ext Trim (PVC)
2010	2'0"x1'0"	250	54	12	40	10	88	98	88	91	98
2412	2'4"x1'2"	300	63	12	40	10	105	116	105	108	116
2814	2'8"x1'4"	340	72	12	40	10	122	136	122	126	136
3018	3'0"x1'6"	380	81	12	40	10	122	136	122	126	136
4020	4'0"x2'0"	500	108	24	80	20	144	155	144	150	155
5428	5'4"x2'8"	660	144	24	80	20	201	222	201	206	222
6030	6'0"x3'0"	760	162	24	80	20	201	222	201	206	222

### Specialty Shapes

Palladiums Please call for pricing

Half Circle with Extended Legs Please call for pricing

Ellipticals Please call for pricing

Eyebrows Please call for pricing

Depending on size, please call for pricing on glass, jamb, casing and trim options.

Pricing for other Special Grid Patterns, Tempered Glass and Odd Shapes must be Quoted.  
Please fax or call.



**Stormgate Impact New Construction Double Hung**

SIZE (united inches)	<83	84 +	Feature summary
<b>White</b>	\$ 548	Add \$ 6.60 per ui	<ul style="list-style-type: none"> <li>• Lifetime Transferable Warranty</li> <li>• Half Aluminum or Fiberglass Screen Standard</li> <li>• Fully welded frame and sash</li> <li>• Stainless Steel Coastal Hardware</li> <li>• Double locks over 26" widths</li> <li>• Double weather-stripped sash</li> <li>• Large Missile Impact Glass</li> <li>• Tilting sash for easy cleaning</li> </ul>
<b>Sandstone</b>	Add 10%	Add 10%	
<b>Laminated Exterior</b> ( Bronze or Green)	Call For (Pricing Based	Pricing On Quantity)	
<b>Painted Custom Color</b> EXTERNAL ONLY (White interior)	Add 75%	Add 75%	
<b>SIZE LIMITATIONS</b>			
Minimum Width	16"	Minimum Height	24"
Maximum Width	46"	Maximum Height	76"
Recommended Uses: Residential and Light Commercial			

**OPTIONS**

**GLASS**

Impact Clear	Standard
Impact Low-E	\$ 12.00 per sash
Impact EnerG	\$ 24.00 per sash
Impact Obscure	call for pricing
Impact Tempered	\$ 65.00 per sash

**OTHER**

NE Flat Casing 3 ½ - No Sill	\$ 90.00 per window
NE Flat Casing 3 ½ - With Sill	\$ 100.00 per window
Salem Trim No Sill	\$ 90.00 per window
Salem Trim With Sill	\$ 100.00 per window

**GRIDS**

Contoured	\$ 26.00 per sash
Flat	\$ 26.00 per sash
SDL Exterior Surface 1	\$ 50.00 per sash
SDL Interior Surface 4	\$ 50.00 per sash
Prairie	\$ 26.00 per sash
Diamond	\$ 80.00 per sash
Custom 2 Toned	\$ 75.00 per sash

4 9/16" Primed Extension Jamb	\$ 40.00 per window
6 9/16" Primed Extension Jamb	\$ 60.00 per window
Custom Size Extension Jamb	Available

Dry Wall Return Adapter (4 Sides)	\$ 15.00 per window
Foam Wrap	\$ 20.00 per window
J Channel Filler	\$ 15.00 per window
Mull Charge	\$ 60.00 per mullion
0 Degree Structural Mull ½"	\$ 75.00 per mullion

**SCREENS**

Half Screens	Standard
Full Aluminum	\$ 15.00 per window
Full Fiberglass	\$ 15.00 per window
Half Pet	\$ 0.70 per ui
Full Pet	\$ 0.70 per ui

**TEST SUMMARY**

TEST SUMMARY		NFRC	U-Factor	SHGC	CRF
Structural Rating: ASTM E1886/E1966-02	DP50	Clear	0.52	0.45	41
Structural Pressure	75.00 psf				
Air infiltration:	0.10 cfm /ft2	Low-E	0.36	0.32	52
Water Penetration: @ 7.50 psf	No Entry	EnerG	0.34	0.32	52
Deglazing	Pass				
Forced Entry Resistance	Pass L				



# STERGIS STORMGATE

## Impact Double Hung

### Architect's Specifications

**General:** Manufactured by STERGIS Windows and Doors, Attleboro, Massachusetts

**Operation:** Sash shall be counterbalanced to remain as placed during window operation. Both sashes shall tilt inwards for cleaning exterior glass surface. The top sash stiles shall be fitted with two security latches which, when extended, shall prevent the bottom sash from being opened more than three inches. Sash locks shall function to secure the opening and, through a cam-action mechanism, draw the interlocking meeting rails together for a tight seal. Window screens shall be of side load design and include provisions for spring-loaded latches located at each end of the bottom rail.

**Materials:** All vinyl extrusions shall be rigid, 100% virgin uPVC. The jambs shall have a nominal wall thickness of .065" and shall include five tubular hollows for maximum strength and thermal efficiency. The sill shall have a nominal wall thickness of .065" and shall contain multiple hollows for strength.. Sash profiles shall have a nominal wall thickness of .065". The interlock meeting rail will be reinforced with tempered aluminum to which the locks are firmly secured. Sash lift rails shall be integral to the sash extrusion. Sash meeting rails shall include an integral leg, which shall provide positive meeting rail interlock in the assembled unit.

**Frame Construction:** Frame profile shall be designed to install as a new construction with nailing fin and integral J channel. Overall frame depth shall be 3 1/4". Window mainframe header will be miter cut and welded with a minimum melt off of 5mm. The sill will be compound cut and welded construction for positive seal and esthetics. Drain weeps under the screen track will provide a quicker drainage of the sloped sill without compromise to performance.

**Sash Construction:** Sash frame shall be miter cut and fusion welded at the corners. Each welded sash top rail shall conceal a self-aligning spring-loaded sash release latch. Each welded sash shall have recessed, heavy wall pivot bars screwed in place by stainless screws at the bottom sash corners. Glazing shall be secured in place with a dual-durometer snap in a glazing bead along the exterior perimeter of sash. Widths 30 1/4" to 36 1/8" shall have steel reinforcements at the meeting rails. Widths from 36 1/4" to 48" shall have reinforcements at all sash horizontals. Heights from 72" shall have reinforcements at all sash verticals.

**Available Finishes:** Shall be solid vinyl throughout in white or Almond.

**Screen Construction:** Full Screen standard. Frame shall be of hollow extruded design with a .055" wall thickness and the wire shall be 18x16 mesh non-glare charcoal finished aluminum. Corners will be staked with die cast corners. The bottom rail shall have a spring loaded release latch on each side to lock the screen in place. The locking device will engage into the master frame wall and not be visible from the exterior.

**Glazing:** 3/4" overall laminated glass consisting of the following: One (1) exterior piece of 1/8" annealed glass / one (1) .285" aluminum reinforced butyl spacer system (as stated by manufacturer) / one (1) interior piece of 1/8" annealed glass./ .090" Solutia laminate / one (1) interior piece of 1/8" annealed glass. Exterior glazed with an adhesive structural sealant Sikaflex-552 (as stated by the manufacturer) (refer to drawing # 142194DH\_DP50). The glazing utilized an extruded vinyl snap-in glazing bead measuring .570" wide.

**Weather stripping:** A minimum of two courses of solid barrier fin-type weather stripping shall be applied at the crack perimeter (excluding sill) of the window. The bottom sash rail shall fit the sill so that two fin and one closed-cell bulb weather seals engage completely. The interlock will consist of two weather seals attached to the full interlock from jamb to jamb

**Hardware:** Sash balances shall be factory calibrated block and tackle balances. Balance cords shall be anchored to the head of the jamb by use of a stainless steel clip. The slide shoe (balance shoe) will be attached directly to the balance assembly and rid with the sash in a vertical movement. The sash pivot bar will engage the balance shoe and lock the sash with in a consistent hold to the jamb allowing for no distorting during handling and installation. Sash locks shall be cam type and finished to match the vinyl extrusion color. Locks shall be securely anchored with color matched, self-tapping screws driven through the sash rail and into an extruded aluminum-reinforcing bar. Double locks on opening widths of 30 1/4" or greater.

**TESTING:** ASTM E 1886-02 "Standard Test Method for Performance of Exterior Windows Curtain Walls, Doors and Storm Shutters Impacted by Missile(s) and Exposed to Cyclic Pressure Differentials."

ASTM E 1996-02 "Standard Specification for Performance of Exterior Windows, Curtain Walls, Doors and Storm Shutters Impacted by Windborne Debris in Hurricanes



**Stormgate Impact New Construction Single Hung**

SIZE (united inches)	<83	84-100	Feature summary
White	\$ 515	Add \$ 6.20 per ui	<ul style="list-style-type: none"> <li>• Lifetime Transferable Warranty</li> <li>• Aluminum Half Screen</li> <li>• Fully welded frame and sash</li> <li>• Stainless Steel Coastal Hardware</li> <li>• Double locks over 26" widths</li> <li>• Double weather-stripped sash</li> <li>• Large Missile Impact Glass</li> <li>• Tilting sash for easy cleaning</li> </ul>
Sandstone	Add 10%	Add 10%	
Laminated Exterior ( Bronze or Green)	Call For (Pricing Based	For On Quantity)	
Painted Custom Color EXTERNAL ONLY (White interior)	Add 75%	Add 75%	
<b>SIZE LIMITATIONS</b>			
Minimum Width	16"	Minimum Height	24"
Maximum Width	46"	Maximum Height	76"
Recommended Uses: Residential and Light Commercial			

**OPTIONS**

**GLASS**

Impact Clear	Standard
Impact Low-E	\$ 12.00 per sash
Impact EnerG	\$ 24.00 per sash
Impact Obscure	call for pricing
Impact Tempered	\$ 65.00 per sash

**OTHER**

NE Flat Casing 3 ½ - No Sill	\$ 90.00 per window
NE Flat Casing 3 ½ - With Sill	\$ 100.00 per window
Salem Trim No Sill	\$ 90.00 per window
Salem Trim With Sill	\$ 100.00 per window

**GRIDS**

Flat	\$ 26.00 per sash
SDL Exterior Surface 1	\$ 50.00 per sash
SDL Interior Surface 4	\$ 50.00 per sash
Prairie	\$ 26.00 per sash
Diamond	\$ 80.00 per sash
Custom 2 Toned	\$ 75.00 per sash

4 9/16" Primed Extension Jamb	\$ 40.00 per window
6 9/16" Primed Extension Jamb	\$ 100.00 per window
Custom Size Extension Jamb	Available
Dry Wall Return Adapter (4 Sides)	\$ 15.00 per window
Foam Wrap	\$ 20.00 per window
J Channel Filler	\$ 15.00 per window
Mull Charge	\$ 60.00 per mullion
0 Degree Structural Mull ½"	\$ 75.00 per mullion

**SCREENS**

Half Fiberglass	Standard
-----------------	----------

TEST SUMMARY	NFRC	U-Factor	SHGC	CRF
Structural Rating: ASTM E1886/E1966-02 DP50	Clear	0.53	0.57	41
Structural Pressure 75.00 psf				
Air infiltration:	Low-E	0.36	0.34	52
Water Penetration: @ 7.50 psf	EnerG	0.35	0.34	52
Deglazing	Design pressure ratings			
Forced Entry Resistance	Pass			
	Pass L			



# STERGIS STORMGATE

## Impact PVC Single Hung

### Architect's Specifications

**General:** Manufactured by STERGIS Windows and Doors, Attleboro, Massachusetts

**Operation:** Lower sash shall be counterbalanced to remain as placed during window operation. Bottom sash shall tilt inwards for cleaning exterior glass surface. The top sash will be glazed into the main frame and have internal glazing access. Sash locks shall function to secure the opening and, through a cam-action mechanism, draw the interlocking meeting rails together for a tight seal. Window screens shall be of side load design and include provisions for spring loaded latches located at each end of the bottom rail.

**Materials:** All vinyl extrusions shall be rigid, 100% virgin uPVC. The jambs shall have a nominal wall thickness of .065" and shall include five tubular hollows for maximum strength and thermal efficiency. The sill shall have a nominal wall thickness of .065" and shall contain multiple hollows for strength.. Sash profiles shall have a nominal wall thickness of .065". The interlock meeting rail will be reinforced with tempered aluminum to which the locks are firmly secured. Sash lift rails shall be integral to the sash extrusion. Sash meeting rails shall include an integral leg, which shall provide positive meeting rail interlock in the assembled unit.

**Frame Construction:** Frame profile shall be designed to install as a new construction with nailing fin and J channel or as a replacement type with head and sill expanders as job conditions require. Overall frame depth shall be 3 1/4". Window main frame header will be miter cut and welded with a minimum melt off of 5mm. The sill will be compound cut and welded construction for positive seal and esthetics. Drain weeps under the screen track will provide a quicker drainage of the sloped sill without compromise to performance.

**Sash Construction:** Sash frame shall be miter cut and fusion welded at the corners. Each welded sash top rail shall conceal a self-aligning spring-loaded sash release latch. Each welded sash shall have recessed, heavy wall pivot bars screwed in place by stainless screws at the bottom sash corners. Glazing shall be secured in place with a dual-durometer snap in a glazing bead along the exterior perimeter of sash. Widths shall have aluminum reinforcements at the meeting rails. Widths from 36 1/4" to 48" shall have reinforcements at all sash horizontals. Heights from 72" shall have reinforcements at all sash verticals.

**Available Finishes:** Shall be solid vinyl throughout in white or almond.

**Screen Construction:** Half-screen standard. Frame shall be of hollow extruded design with a .055" wall thickness and the wire shall be 18x16 mesh non-glare charcoal finished aluminum. Corners will be staked with die cast corners. Screen will remain in the lower sash position and is removed from the interior of the window.

**Glazing:** 3/4" overall laminated glass consisting of the following: One (1) exterior piece of 1/8" annealed glass / one (1) .285" aluminum reinforced butyl spacer system (as stated by manufacturer) / one (1) interior piece of 1/8" annealed glass. / .090" Solutia laminate / one (1) interior piece of 1/8" annealed glass. Exterior glazed with an adhesive structural sealant Sikaflex-552 (as stated by the manufacturer) (refer to drawing # 142194DH\_DP50). The glazing utilized an extruded vinyl snap-in glazing bead measuring .570" wide.

**Weather stripping:** A minimum of two courses of solid barrier fin-type weather stripping shall be applied at the crack perimeter (excluding sill) of the window. The bottom sash rail shall fit the sill so that two fin and one closed-cell bulb weather seals engage completely. The interlock will consist of two weather seals attached to the full interlock from jamb to jamb

**Hardware:** Sash balances shall be factory calibrated block and tackle balances. Balance cords shall be anchored to the head of the jamb by use of a stainless steel clip. The slide shoe (balance shoe) will be attached directly to the balance assembly and rid with the sash in a vertical movement. The sash pivot bar will engage the balance shoe and lock the sash with in a consistent hold to the jamb allowing for no distorting during handling and installation. Sash locks shall be cam type and finished to match the vinyl extrusion color. Locks shall be securely anchored with color matched, self-tapping screws driven through the sash rail and into an extruded aluminum-reinforcing bar. Double locks on opening widths 26" or greater.

**TESTING:** ASTM E 1886-02 "Standard Test Method for Performance of Exterior Windows Curtain Walls, Doors and Storm Shutters Impacted by Missile(s) and Exposed to Cyclic Pressure Differentials."

ASTM E 1996-02 "Standard Specification for Performance of Exterior Windows, Curtain Walls, Doors and Storm Shutters Impacted by Windborne Debris in Hurricanes





**Stormgate Impact New Construction Picture/Transom Window**

SIZE (united inches)	Up To 100 ui	> 101 ui	Feature summary
<b>White</b>	\$ 6.44 per ui	\$ 8.25 per ui	<ul style="list-style-type: none"> <li>• Welded Frames with Internal Glazing</li> <li>• Warm Edge Insulated Glass</li> <li>• 3 ¼" Frame</li> <li>• Accessory Grooves Inside &amp; Outside</li> <li>• Head and Sill Angle Included</li> <li>• Large Missile Impact Glass</li> </ul>
<b>Sandstone</b>	Add 10%	Add 10%	
<b>Laminated Exterior</b> (Bronze or Green)	Call For Quote (Pricing Based	On Quantity)	
<b>Painted Custom Color</b> EXTERNAL ONLY (White interior)	Add 75%	Add 75%	
<b>SIZE LIMITATIONS</b>			
Minimum Size 14" x 14"		Maximum ui:	
Maximum Size 64" x 84"		148	

OPTIONS			
<b>GLASS</b>		<b>OTHER</b>	
Impact Clear	Standard	NE Flat Casing 3 ½ - No Sill	\$ 90.00 per window
Impact Low-E	\$ 12.00 per sash	NE Flat Casing 3 ½ - With Sill	\$ 100.00 per window
Impact EnerG	\$ 24.00 per sash		
Impact Obscure	call for pricing	Salem Trim No Sill	\$ 90.00 per window
Impact Tempered	\$ 65.00 per sash	Salem Trim With Sill	\$ 100.00 per window
<b>GRIDS</b>			
Flat	\$ 52.00 per sash	4 9/16" Primed Extension Jamb	\$ 40.00 per window
SDL Exterior Surface 1	\$ 100.00 per sash	6 9/16" Primed Extension Jamb	\$ 60.00 per window
SDL Interior Surface 4	\$ 100.00 per sash	Custom Size Extension Jamb	Available
Prairie	\$ 52.00 per sash		
Diamond	\$ 80.00 per sash	Dry Wall Return Adapter (4 Sides)	\$ 15.00 per window
Custom 2 Toned	\$ 150.00 per sash	Foam Wrap	\$ 20.00 per window
Special Custom Grid	\$ 90.00 per sash	J Channel Filler	\$ 15.00 per window
		Mull Charge	\$ 60.00 per mullion
		0 Degree Structural Mull ½"	\$ 75.00 per mullion

TEST SUMMARY		NFRC	U-Factor	SHGC	CRF
Structural Rating: ASTM E1886/E1966-02	DP80	Clear	0.43	0.53	42
Air Infiltration:	0.01 cfm/ ft <sup>2</sup>	Low-E	0.33	0.25	56
Water Penetration: @ 12psf	No Entry	EnerG	0.30	0.25	56
Structural Pressure	120. psf				



# STERGIS STORMGATE

## Impact PVC Picture/Transom Window

### Architect's Specifications

**General:** Manufactured by STERGIS Windows and Doors, Attleboro, Massachusetts

**Operating:** Sash shall be a fixed unit set in a frame. Sash is re-glazable by removing the snap-in glazing bead from the inside.

**Materials:** All vinyl extrusions shall be rigid 100% virgin uPVC. Main frame profile shall have a nominal wall thickness of .078" and shall have four tubular hollows. On oversized windows, frames shall be reinforced with aluminum.

**Frame Construction:** Frame profile shall be designed to install as a new construction unit with nailing fin and J channel or be fitted with a one piece head expander and sill angle for replacement installation. Overall frame depth shall be 3 1/4". Main frame corners shall be mitered and fusion welded with a minimum melt off of 5mm for maximum strength and leak resistance. New construction jamb depths can be met using a wood extension jamb to meet the 4 9/16" or 6 9/16" wall.

**Glazing:** 3/4" overall laminated glass consisting of the following: One (1) exterior piece of 1/8" annealed glass / one (1) .285" aluminum reinforced butyl spacer system (as stated by manufacturer) / one (1) interior piece of 1/8" annealed glass. / .090" Solutia laminate / one (1) interior piece of 1/8" annealed glass. Exterior glazed with an adhesive structural sealant Sikaflex-552 (as stated by the manufacturer) (refer to drawing # 142194DH\_DP50). The glazing utilized an extruded vinyl snap-in glazing bead measuring .570" wide.

**Available Finishes:** Shall be solid vinyl throughout in white or almond. Optional wood grain interior and custom color exterior is optional.

**TESTING:** ASTM E 1886-02 "Standard Test Method for Performance of Exterior Windows Curtain Walls, Doors and Storm Shutters Impacted by Missile(s) and Exposed to Cyclic Pressure Differentials."

ASTM E 1996-02 "Standard Specification for Performance of Exterior Windows, Curtain Walls, Doors and Storm Shutters Impacted by Windborne Debris in Hurricanes"



**Stormgate Impact New Construction Casements/Awnings**

SIZE (united inches)	46-75ui	76-92ui	Minimum price	Feature summary
<b>White</b>	\$ 7.50 per ui	\$ 8.00 per ui	\$ 420.00	<ul style="list-style-type: none"> <li>• Lifetime Transferable Warranty</li> <li>• Fully welded frame and sash</li> <li>• Header and Sill expander included</li> <li>• Large Missile Impact Glass</li> <li>• Truth Multi-Point Lock</li> <li>• Heavy Duty Detachable Hinges</li> <li>• Corrosion Resistant Hardware</li> <li>• Specify Nailing fin with J Channel if required</li> <li>• Over sized windows may require an additional charge for upgraded hardware</li> <li>• Full Aluminum Screen</li> </ul>
<b>Sandstone</b>	Add 10%	Add 10%	\$ 462.00	
<b>Laminated Exterior</b> (Bronze or Green)	Call (Pricing)	For Based on	Price Quantity)	
<b>Painted Custom Color</b> EXTERNAL ONLY (White interior)	Add 75%	Add 75%	Add 75%	
<b>Size Limitations</b>	<b>Casement</b>	<b>Awning</b>	<b>MAX</b>	
Minimum	15" x 15"	20" x 15"	108ui	
Maximum	36" x 72"	48" x 36"		

Double/ Triple Price as Sums of Individual Units  
HINGING IS DENOTED FROM EXTERIOR

**OPTIONS**

**GLASS**

Impact Clear	Standard
Impact Low-E	\$ 12.00 per sash
Impact EnerG	\$ 24.00 per sash
Impact Obscure	call for pricing
Impact Tempered	\$ 65.00 per sash

**OTHER**

NE Flat Casing 3 1/2" - No Sill	\$ 90.00 per window
NE Flat Casing 3 1/2" - With Sill	\$ 100.00 per window
Salem Trim No Sill	\$ 90.00 per window
Salem Trim With Sill	\$ 100.00 per window

**GRIDS**

Flat	\$ 26.00 per sash
SDL Exterior Surface 1	\$ 50.00 per sash
SDL Interior Surface 4	\$ 50.00 per sash
SDL (casement)	\$ 112.00 per sash
Prairie	\$ 26.00 per sash
Diamond	\$ 80.00 per sash
Custom 2 Toned	\$ 75.00 per sash

4 9/16" Primed Extension Jamb	\$ 40.00 per window
6 9/16" Primed Extension Jamb	\$ 60.00 per window
Custom Size Extension Jamb	Available
Dry Wall Return Adapter (4 Sides)	\$ 15.00 per window
Foam Wrap	\$ 20.00 per window
J Channel Filler	\$ 15.00 per window
Mull Charge	\$ 60.00 per mullion
0 Degree Structural Mull 1/2"	\$ 75.00 per mullion

**SCREEN**

Full Pet (casement)	\$ .070 per ui
Full Pet (awning)	\$ 0.70 per ui

**TEST SUMMARY**

	NFRC	U-Factor	SHGC	CRF	
Structural Rating: ASTM E1886/E1966-02 Structural Pressure	LC-55 75.00 psf	Clear	0.43	0.53	42
Air infiltration :	0.04 cfm/ft2	Low-E	0.33	0.25	56
Water Penetration : @ 9.75 psf	No Entry	EnerG	0.30	0.25	56
Deglazing Forced Resistance	Pass Pass				



# STERGIS STORMGATE

## Impact Vinyl Casement/Awning Window

### Architect's Specifications

#### Residential and Light Commercial Applications

**General:** Manufactured by STERGIS Windows and Doors, Attleboro, Massachusetts

**Operation:** Window sash shall open out from the frame jamb by means of a roto-operator crank assembly. Sash shall pivot at the jamb on two stainless steel hinges located at the main frame head and sill. Multi-point sash locks shall be located at the jamb and shall function to both secure the opening and ensure a tight sash to jamb triple weather stripping compression seals.

**Materials:** All vinyl extrusions shall be rigid 100% virgin uPVC. Main frame profiles shall have a nominal wall thickness of .075" and six tubular hollows for maximum strength, thermal efficiency, and welded corner integrity. Sash profiles shall have a nominal wall thickness of .075" and shall contain four tubular hollows. Reinforced Main Frames and Retaining clip for hardware will be employed to ensure impact testing certifications

**Frame Construction:** Frame provides a new construction fin or a head and sill expander for replacement applications . Overall frame depth shall be 3 1/4". Window main frame corners shall be mitered and fusion welded with a minimum melt off of 5mm for maximum strength and leak resistance. Optional J channel can be factory applied.

**Sash Construction:** Sash frame shall be miter cut and fusion welded with a minimum melt off of 5mm. Glazing will be secured between two co-extruded dual durometer glazing fins and a dual durometer removable snap-glazing bead. Damaged glass shall be replaceable without detaching the sash from the main frame.

**Screen Construction:** Screen wire shall be 18x16 mesh non-glare charcoal finished aluminum, securely held in place with corrugated vinyl screen spline. Frame shall be of hollow extruded design and shall include an exterior leg which forms a screen to frame overlap in the assembled unit to eliminate any perimeter gap once the screen is installed. Screen shall be secured in place with two spring loaded "L" clips at each screen jamb.

**Available Finishes:** Color shall be solid vinyl throughout in white or almond

**Glazing:** 3/4" overall laminated glass consisting of the following: One (1) exterior piece of 1/8" annealed glass / one (1) .285" aluminum reinforced butyl spacer system (as stated by manufacturer) / one (1) interior piece of 1/8" annealed glass./ .090" Solutia laminate / one (1) interior piece of 1/8" annealed glass. Exterior glazed with an adhesive structural sealant Sikaflex-552 (as stated by the manufacturer) (refer to drawing # 142194DH\_DP50). The glazing utilized an extruded vinyl snap-in glazing bead measuring .570" wide.

**Weather stripping:** Weather stripping shall be compression bulb type. One course shall be applied around the full sash perimeter and a second around the main frame perimeter to provide continuous double seal between the main frame and sash.

**Hardware:** All hardware is corrosion resistant. Maxim twin arm gear drive dyad operator attaches to the sash by use of a guide track and sash pinion. Sash locks shall be sequentially locking multi-point type with a single handle actuator. The sash keepers will self align and be secured into reinforced sash walls. All fasteners are stainless steel . Sash heights will incorporate an alignment and reinforcing snubber that draws the sash tight with the frame. Hardware will be color matched.

**TESTING:** ASTM E 1886-02 "Standard Test Method for Performance of Exterior Windows Curtain Walls, Doors and Storm Shutters Impacted by Missile(s) and Exposed to Cyclic Pressure Differentials."

ASTM E 1996-02 "Standard Specification for Performance of Exterior Windows, Curtain Walls, Doors and Storm Shutters Impacted by Windborne Debris in Hurricanes



**Stormgate Impact New Construction Sliding Window**

SIZE(untied inches)	<80	81-100	>101	Feature summary
<b>White</b>	\$6.40ui	\$7.20ui	\$8.00ui	<ul style="list-style-type: none"> <li>• Lifetime Transferable Warranty</li> <li>• Fully welded frame and sash</li> <li>• Double Full interlock at the meeting rails</li> <li>• Header and sill expander included</li> <li>• Double Locks over 26" heights</li> <li>• ¾ " Warm Edge Insulated Glass Duralite</li> <li>• Dual Tandem axle roller wheels</li> <li>• Removable Sashes for easy cleaning</li> <li>• SS/DS Cardinal Glass</li> <li>• ½ Screen Standard</li> </ul>
<b>Sandstone</b>	Add 10%	Add 10%	\$8.00ui	
<b>Laminated Exterior</b> (Bronze or Green)	Call (Pricing	For Based On	Pricing Quantity)	
<b>Painted Custom Color</b> External Only (White Interior)	Add 75%	Add 75%	Add 75%	

**SIZE LIMITATIONS**

	Minimum Width	Minimum Height	Maximum Width	Maximum Height
2-Lite	30"	15"	80"	60"
3-Lite	46 ½"	15"	120"	60"

**OPTIONS**

**GLASS**

Impact Clear	Standard
Impact Low-E	\$ 12.00 per sash
Impact EnerG	\$ 24.00 per sash
Impact Obscure	call for pricing
Impact Tempered	\$ 65.00 per sash

**OTHER**

NE Flat Casing 3 ½ - No Sill	\$ 90.00 per window
NE Flat Casing 3 ½ - With Sill	\$ 100.00 per window
Salem Trim No Sill	\$ 90.00 per window
Salem Trim With Sill	\$ 100.00 per window

**GRIDS**

Contoured	\$ 26.00 per sash
Flat	\$ 26.00 per sash
SDL Exterior Surface 1	\$ 50.00 per sash
SDL Interior Surface 4	\$ 50.00 per sash
Prairie	\$ 26.00 per sash
Diamond	\$ 80.00 per sash
Custom 2 Toned	\$ 75.00 per sash

4 9/16" Primed Extension Jamb	\$ 40.00 per window
6 9/16" Primed Extension Jamb	\$ 60.00 per window
Custom Size Extension Jamb	Available

Dry Wall Return Adapter (4 Sides)	\$ 15.00 per window
Foam Wrap	\$ 20.00 per window
J Channel Filler	\$ 15.00 per window
Mull Charge	\$ 60.00 per mullion
0 Degree Structural Mull ½"	\$ 75.00 per mullion

**SCREENS**

Half Pet	\$ 0.70 per ui
Full Pet	\$ 0.70 per ui
Full Aluminum or Fiberglass	\$ 15.00

TEST SUMMARY		NFRC	U-Factor	SHGC	CRF
Structural Rating: ASTM E1886/E1966-02	DP 50	Clear	0.53	0.57	41
Structural Pressure	75.00psf	Low-E	0.36	0.34	52
Air infiltration: @ 1.56 psf (25 mph)	0.17 fm / t2	EnerG	0.35	0.34	52
Water Penetration: @ 7.50 psf	No Entry				
Deglazed	Pass				
Forced Entry Resistance	Pass				



## Aluminum Triple Track Model 60 Storm Windows

	<90 ui	90-100 ui	>100 ui	Feature Summary
<b>White (2603)</b>	\$ 183.00	\$ 194.00	\$ 4.50 ui	<ul style="list-style-type: none"> <li>• Miter cut radius corners w/corner keys</li> <li>• Heavy duty horizontal tie bars</li> <li>• 3 piece sill with adjustable sill expander</li> <li>• Charcoal aluminum screen wire</li> <li>• Baked Enamel Finish (*optional coastal 2605 finish available)</li> </ul>
<b>Nantucket Gray (2603)</b>	\$ 195.00	\$ 206.00	\$ 4.50 ui	
<b>Custom Colors (2603)</b>	+\$ 180.00	+\$ 190.00	\$ 4.50 ui	
<b>Coastal Colors (2605)*</b>	+\$ 242.00	+\$ 260.00	\$ 4.50 ui	

OPTIONS		SIZE LIMITATIONS
DSB Low-E Hardcoat	\$ 80.00 per sash	Minimum Width 11" ttt Maximum Width 56" ttt Minimum Height 27" ttt Maximum Height 115" ttt
Lexan .125	\$ 75.00 per sash	
Obscure Glass	\$ 65.00 per sash	
Plexiglas .125	\$ 65.00 per sash	
Tempered Glass	\$ 75.00 per sash	
Oriel Window	\$ 15.00 per window	
Without Screen	-\$5.00 per window	

TEST SUMMARY	
Structural Rating: ANSI / AAMA 1002.10-93 VWE – CLASS 10	
Air infiltration: @ 1.56 psf (25mph)	.065 cfm/fcp
Water drainage:	No water test buck sill
Uniform structural load	
@ 15 psf (exterior)	No damage
@ 15 psf (interior)	No damage

CLEAR EGRESS OPENING
(Minimum TTT Unit Measurements to meet 20" x 24" clear opening requirement)
Minimum Size: 27" x 55"

### Warranty

Aluminum Storm Products with standard Baked Enamel finishes (2603) have a warranty for 5 years excluding coastal area\*. Coastal Finishes (2605) carry a warranty of 3 years when used in coastal areas\*. Please see full warranty for complete information. (\* see definitions of coastal areas on full warranty)



# STERGIS Model 60 Triple Track Storm Window

## Architect's Specifications

**General:** Manufactured by STERGIS Windows and Doors, Attleboro, Massachusetts. Each window shall be complete with two operating sash and one screen insert.

**Operation:** The STERGIS Model 60 window shall be of triple channel design, constructed to form back retaining walls for both glass inserts when in the closed position. Each glass insert and screen shall ride in its own channel, guided by top pivot pins and shall be removable from inside without use of tools. There shall be a minimum of four locking positions for the lower sash.

**Materials:** All aluminum extrusions shall be 6063-T5 heat treated aluminum alloy with a nominal wall thickness of .055". Self-tapping screws used in the assembly of the window shall be stainless steel.

**Frame Construction:** The frame shall be miter-type construction anchored with two stainless self-tapping screws at each corner. Each screw shall be driven into an extruded boss which is an integral part of the jambs. The sill and bottom sash shall interlock in a tongue and groove manner for additional weather protection when in closed position. There shall be an adjustable expander on the sill to compensate for out-of-square installation. The sill expander shall have two weep holes to allow drainage to the outside. The header frame shall provide penetration of the top sash by  $\frac{3}{4}$ " and be sealed with fin type weatherstripping on the inside frame leg and heavy duty woolpile on the outside of the sash head. There shall be a 1  $\frac{1}{8}$ " extruded stabilizer bar at the meeting rails, secured by a .125 pop-rivet on each side through the frame and into an extruded boss in the stabilizer bar. The sill shall be of two-piece construction.

**Sash Construction:** Glass inserts shall have spring loaded zinc die-cast latches with  $\frac{5}{8}$ " operating space to allow easy operation. A double interlock will join two sashes together at the meeting rail. Sash corners shall be mitered and joined with securely staked zinc die-cast corner keys.

**Screen Construction:** Screen frames shall be of hollow extruded design with overlaps at sides of frames. Heavy-duty woolpile shall be inserted in the top of the screen section to provide an effective insect seal when in the summer position. Screen wire shall be 18 x 16 mesh, non-glare charcoal finished aluminum and shall be held in place with corrugated vinyl screen spline.

**Available Finishes:** All door finishes shall be electrostatically applied baked enamel 2603 in standard white or custom color. Optional Coastal Finishes are available for compliance with warranty.

**Glazing:** Sash shall be single-strength standard type B domestic float glass fitted with spline into the extruded aluminum sash channels.

**Weather stripping:** All critical areas shall be fully weatherstripped with a fin type weatherstripping.

**Hardware:** All spring loaded latches are to be zinc die-cast. Screen latches are to be recessed and bottom exposed for access.

**Options:** Steep slope drop sill expanders shall be available to permit proper installation where required. Glazing: double strength, acrylic, lexan, obscure, special tempered, and Low-E. Oriels are available.

### Residential and Commercial Applications

Minimum Width: 11" ttt

Minimum Height: 27" ttt

Maximum Width: 56" ttt

Maximum Height: 115" ttt

## Aluminum Stationary Storm Windows

### Storm Picture Window

Minimum 70 UI Base	Base price	With Plexiglass (per ui)	Tempered Glass (per ui)	Removable Screens (per ui)	Rolled-in Screen add per ui	Feature Summary
<b>White (2603)</b>	\$ 1.90 ui	\$ 3.30	\$ 3.00	\$ 2.30	\$ 0.50	<ul style="list-style-type: none"> <li>• Removable Glass Sash</li> <li>• Double Thick Glass</li> <li>• Adjustable Sill Expander</li> <li>• Baked Enamel Finish (*optional coastal 2605 finish available)</li> </ul>
<b>Nantucket Gray (2603)</b>	\$ 2.00 ui	\$ 3.40	\$ 3.10	\$ 2.40	\$ 0.50	
<b>Custom Color (2603)</b>	\$ 3.80 ui	\$ 6.60	\$ 6.00	\$ 4.60	\$ 0.50	
<b>Coastal Color (2605)*</b>	\$ 4.75 ui	\$ 8.25	\$ 7.50	\$ 5.75	\$ 0.50	

### Storm Deadlite (Gus 41 with Lip)

	Base price	With Plexiglass (per ui)	Tempered Glass (per ui)	Custom Shapes (per ui)	Feature Summary
<b>White (2603)</b>	\$ 1.20 ui	\$ 2.60	\$ 3.20	\$ 4.00	<ul style="list-style-type: none"> <li>• All deadlites with tempered over 42" x 72" Must have a Mullion</li> <li>• Weather Stripped Frame</li> <li>• Extruded Frame</li> <li>• 1/8" Clear Glass</li> <li>• 1 1/8" x3/8" with lip</li> <li>• Baked Enamel Finish (*optional coastal 2605 finish available)</li> </ul>
<b>Nantucket Gray (2603)</b>	\$ 1.30 ui	\$ 2.70	\$ 3.30	\$ 4.10	
<b>Custom Color (2603)</b>	\$ 2.40 ui	\$ 5.20	\$ 6.40	\$ 8.00	
<b>Coastal Color (2605)*</b>	\$ 3.00 ui	\$ 6.50	\$ 8.00	\$ 10.00	

### "GUS-4" Deadlite (No Lip)

	Base price	With Plexiglass (per ui)	Tempered Glass (per ui)	Feature Summary
<b>White (2603)</b>	\$ 1.20 ui	\$ 2.60	\$ 3.20	<ul style="list-style-type: none"> <li>• Weather Stripped Frame</li> <li>• 3/4" x 3/8" Frame</li> <li>• 1/8" Clear Glass</li> <li>• Baked Enamel Finish (*optional coastal 2605 finish available)</li> </ul>
<b>Nantucket Gray (2603)</b>	\$ 1.30 ui	\$ 2.70	\$ 3.30	
<b>Custom Color (2603)</b>	\$ 2.40 ui	\$ 5.20	\$ 6.40	
<b>Coastal Color (2605)*</b>	\$ 3.00 ui	\$ 6.50	\$ 8.00	

### Warranty

Aluminum Storm Products with standard Baked Enamel finishes (2603) have a warranty for 5 years excluding coastal area\*. Coastal Finishes (2605) carry a warranty of 3 years when used in coastal areas\*. Please see full warranty for complete information. (\* see definitions of coastal areas on full warranty)





## STERGIS Storm Picture Window Architect's Specifications

**General:** Manufactured by STERGIS Windows and Doors, Attleboro, Massachusetts

**Operation:** The storm window shall have a flush back frame. Sash shall be held in place in the master frame with heavy duty clips. Sash shall be removable from the outside by loosening clips and lifting sash out of frame pocket.

**Materials & Frame Construction:** All extrusions shall be 6063-T5 heat treated aluminum alloy with a nominal wall thickness of .050". Self tapping screws used in the assembly of this window shall be stainless steel. The corners of the frame shall be miter cut and fastened with two stainless steel screws at each corner. The back of the frame shall be a flush 1 5/8". The front of the frame shall form a pocket in which the glass insert shall sit. The sill flange shall include an adjustable expander to compensate for out of square installations.

**Glazing & Sash Construction:** The frame of the sash shall be of extruded design. The sash shall be double-strength standard type B domestic float glass fitted with spline into the sash frame. Sash corners shall be mitered and joined with securely staked zinc die-cast corner keys. There shall be a lift incorporated at the bottom edge of the sash frame.

**Available Finishes:** All door finishes shall be electrostatically applied baked enamel 2603 in standard white or custom color . Optional Coastal Finishes are available for compliance with warranty

**Weather stripping:** The storm picture window frame shall be fully weather stripped on the inside perimeter with a heavy duty wool pile.

**Hardware:** The clips which secure the glass insert into the frame shall be heavy duty extruded aluminum. The screw which hold the clips in place shall be tapped into an extruded aluminum rocker clip. A minimum of four clips assemblies shall be provided for each height.

Minimum width: 8 5/8" ttt

Maximum width: 72" x 60" or 60" x 72" ttt

Minimum height: 8 3/8" ttt

## Cellar Storms & Storm Sliders

### Storm Cellar Windows

	Base price	With Plexiglass (per ui)	Tempered Glass (per ui)	Removable Screens (per ui)	Feature Summary
<b>White (2603)</b>	\$ 2.00 ui	\$ 3.40	\$ 3.10	\$ 2.40	<ul style="list-style-type: none"> <li>• Rolled in Charcoal Screen</li> <li>• Removable Glass Sash</li> <li>• Adjustable Sill</li> <li>• Baked Enamel Finish (*optional coastal 2605 finish available)</li> </ul>
<b>Nantucket Gray (2603)</b>	\$ 2.10 ui	\$ 3.50	\$ 3.20	\$ 2.50	
<b>Custom Color (2603)</b>	\$ 4.00 ui	\$ 6.80	\$ 6.20	\$ 4.80	
<b>Coastal Color (2605)*</b>	\$ 5.00 ui	\$ 8.00	\$ 7.75	\$ 6.00	

### Storm Sliders Internal/External

Color	<80 ui	81-120 ui	>120 ui	Triple Sliders	Feature summary
<b>WHITE (2603)</b>	\$151.00	\$2.45 ui	\$3.00 ui	\$3.00 ui	<ul style="list-style-type: none"> <li>• External Slider has flange</li> <li>• Hollow Bottom Rail for extra strength</li> <li>• Interlocking Inserts</li> <li>• Baked Enamel Finish (*optional coastal 2605 finish available)</li> </ul>
<b>SCREENS (half or full)</b>	+ \$.60 ui	+ \$.60 ui	+ \$.60 ui	+ \$.60 ui	

#### Miscellaneous

Plexiglass	Add \$ 40.00/Sash
Tempered Glass	Add \$ 65.00/Sash
Style A Still Expander	\$2.00/Lineal Foot
Style B Sill Expander	\$2.40/Lineal Foot

#### Opening limitations

Double Slider	Triple Slider
Minimum Width 18" ttt	Minimum Width 27" ttt
Maximum Width 82" ttt	Maximum Width 108" ttt
Minimum Height 12" ttt	Minimum Height 12" ttt
Maximum Height 63" ttt	Maximum Height 63" ttt

#### Warranty

Aluminum Storm Products with standard Baked Enamel finishes (2603) have a warranty for 5 years excluding coastal area\*. Coastal Finishes (2605) carry a warranty of 3 years when used in coastal areas\*. Please see full warranty for complete information. (\* see definitions of coastal areas on full warranty)



# STERGIS Internal/External Storm Slider

## Architect's Specifications

### Residential and Light Commercial Applications

**General:** Manufactured by STERGIS Windows and Doors, Attleboro, Massachusetts

**Operation:** Each sash shall roll freely on nylon pads and shall be easily removed for cleaning or reglazing. There shall be a deep header to allow vertical removal of the prime window sash.

**Materials:** All aluminum extrusions shall be 6063-T5 heat treated aluminum alloy with a nominal wall thickness of .055". All fasteners shall be stainless steel, and all hardware shall be made of noncorrosive materials compatible with aluminum.

**Frame Construction:** Master frame shall be butted at the corners and fastened with two stainless steel screws driven through the jambs into the horizontal frame members. Frame sill will be of a hollow extruded and provide for exterior drainage through staggered drain holes. Installation flange shall be 1 1/8" wide to permit secure mounting. This window shall have a flush back frame. Expanders can be used at all flange locations

**Sash Construction:** Sash shall have butted corners securely fastened with stainless steel screws driven through the vertical rail into an extruded screw boss in the horizontal member. All vertical sash members shall be of hollow tubular design with a minimum depth of 1/2" . Sash shall have an integral mechanical interlock as well as woodpile weather stripping at the meeting rails. Each sash shall lock independently by means of a spring loaded, self-latching handle.

**Available Finishes:** All door finishes shall be electrostatically applied baked enamel 2603 in standard white or custom color . Optional Coastal Finishes are available for compliance with warranty

**Screen Construction:** Standard screen shall be a half screen with 18x16 mesh non-glare charcoal finished aluminum wire. Screen frame shall be of hollow extruded design with a minimal wall thickness of .065". Woolpile strip shall be applied to the top rail to provide and effective design. The corners will be staked together firmly with a die cast corner key.

**Glazing:** Standard glazing shall be single strength domestic type B float glass set in a soft vinyl channel. Double strength glass shall be supplied as standard or larger units.

**Weather stripping:** Sash shall be double weather stripping using a combination of fin-type weatherseal and heavy duty silicone treated wool pile.

**Hardware:** The locking mechanism shall be of solid extruded design and shall automatically engage the master frame rails when sash are closed.

<b>2-lite</b>	Minimum width: 18" ttt	Minimum height: 12" ttt
	Maximum width: 82" ttt	Maximum height: 60" ttt
<b>3-lite</b>	Minimum width: 27" ttt	Minimum height: 12" ttt
	Maximum width: 108" ttt	Maximum height: 60" ttt

NOTE: Not to be used as a prime window. Storm product for exterior use only.



**Aluminum Storm Doors Model 200 Momentum**

Door style	White (2603)	Custom (2603)	Coastal (2605)	Feature summary
<b>CROSSBUCK</b>	\$ 397	\$783	\$797	<ul style="list-style-type: none"> <li>• Tubular extruded aluminum door frames</li> <li>• 3" wide door styles – smooth face</li> <li>• Heavy duty corner gussets at mitered frame corners</li> <li>• 1 ½" adjustable bottom expander</li> <li>• Four-hinge Z-bar assembly hollow hinge</li> <li>• Charcoal aluminum screen wire</li> <li>• Extrusion wall thickness .060" min</li> <li>• Standard black hardware</li> <li>• Stainless steel fasteners</li> <li>• Heavy duty adjustable closer, hurricane chain, heavy handle set</li> <li>• Standard colors – WHITE (2603)</li> </ul>
<b>DOUBLE KICK PLATE</b>	\$397	\$783	\$797	
<b>DUAL PROVINCIAL</b>	\$ 397	\$783	\$797	
<b>FULL LITE</b> (No Kick Plate)	\$ 397	\$783	\$797	
<b>FULL PROVINCIAL</b>	\$ 397	\$783	\$797	
<b>HI-LITE</b>	\$ 397	\$783	\$797	
<b>ONE-LITE</b> (With Kick Plate)	\$ 397	\$783	\$797	
<b>SELF STORING</b>	\$ 483	\$783	\$883	
<b>ALL DOOR SWINGS ARE VIEWED FROM OUTSIDE</b> Note Hinge Location				

Tempered Standard on Stock Sizes With Standard Height  
**Large quantity breaks available for stock size doors.**  
 Stock Doors Opening Sizes- 30, 32, 34, 36

**SIZE LIMITATIONS**

Minimum Width	20"	Minimum Height	40"
Maximum Width	46"	Maximum Height	96"

Recommended Uses: Residential and Light Commercial

**Model 100 Volume Discount**

The Model 100 is available for volume qty. It is an identical door to the 200 series but with a 2" wide frame .  
 Contact your salesman or main office for more information and quote requests.

**Options**

<b>GLASS</b>		<b>OTHER</b>	
Special Tempered	\$ 75.00	Brass Sweep	\$ 24.00
		Pewter Sweep	\$ 24.00
<b>HARDWARE</b>		Oversized Door	+\$ 8.00 per ui over 120ui
Black Pull Hardware (standard)	\$ 36.00	Piano Hinge Expander Add	\$ 30.00 per door
White Pull Hardware	\$ 36.00	Special Meeting Rail Location	\$ 30.00 per door
Brass Lever Handle with key lock	\$ 94.00	Door Without Glass	-\$ 30.00
Pewter Lever Handle with key lock	\$ 94.00	Door Not Pre-Hung	-\$ 10.00
<b>SCREEN</b>		Panel 15 Small	\$ 30.00 per panel
Pet		Panel 15 Large	\$ 76.00 per panel
Without	\$ 50.00	Inswing Handle Set	\$ 30.00
	-\$ 10.00	Inswing Bracket	\$ 10.00
		Black Closer Only	\$ 25.00
		Black Key Lock	\$ 25.00
		White Closer Only	\$ 25.00

**Warranty**

Aluminum Storm Products with standard Baked Enamel finishes (2603) have a warranty for 5 years excluding coastal area\*. Coastal Finishes (2605) carry a warranty of 3 years when used in coastal areas\*. Please see full warranty for complete information. (\* see definitions of coastal areas on full warranty)



# STERGIS Aluminum Storm Doors

## Model 200 Momentum

### Architect's Specifications

#### Residential and Light Commercial Applications

**General:** Manufactured by STERGIS Windows and Doors, Attleboro, Massachusetts

**Materials and Frame Construction:** Extrusion shall be 6030-T5 heat-treated aluminum alloy. Self-tapping screws shall be used in assembly and installation shall be of stainless steel. The main frame of the door shall be of hollow extrusions with nominal wall thickness of .055" and backwall thickness of .060". The main door frame shall be mitered and joined by the use of heavy duty cast corner gussets extending a minimum of 4" into the door frame extrusion at extrusions top, bottom and sides. The main frame shall be a full 1 1/8" thick and 3 1/8" wide. The door shall be reinforced with cross mullions of hollow box construction with a minimum wall thickness of .055". The mullions shall overlap the inside lip of the frame and be attached to the frame by four stainless steel screws. The kickplate shall be inserted and glued with a silicone based adhesive into a 1/8" deep groove on all four sides. The kickplate shall be a .032" textured or embossed aluminum sheet. The bottom of the door shall be fitted with an expandable outside channel for adjustments to the threshold. The door shall be attached to a Z-Bar frame by means of hollow hinges with brass bushings and steel pins. The Z-Bar shall be weatherstripped with woolpile. The standard Eastern Z-Bar shall accommodate a rabbet depth of 3/4" and shall be adjusted by means of snap-on aluminum adapter for rabbet depths up to 1" (Western). The Z-Bar shall have pre-punched installation holes.

**Sash Construction:** Standard glazing shall be 1/8" tempered glass. All inserts shall be marine glazed and fit into an extruded aluminum frame. Corners shall be mitered and secured in place by the use of a stamped cast corner key.

**Screen Construction:** Screen frame shall be hollow box construction. Screen frame shall be mitered and staked construction using stamped aluminum corners. Screen wire shall be 18 x 16 mesh non-glare charcoal finished aluminum, held in place by corrugated vinyl spline. All inserts shall be retained in the door by the use of aluminum clips and thumb screws set in aluminum rivnuts.

**Glazing:** Standard glazing shall be 1/8" tempered glass. Doors outside our normal size limitations shall be glazed with .100 acrylic.

**Available Finishes:** All door finishes shall be electrostatically applied baked enamel 2603 in white. Optional Coastal Finishes are available for compliance with warranty

**Weather stripping:** Weatherstripping on Z-Bar lengths shall be silicone treated woolpile. The adjustable expander at the base of the door shall be fit with a strip of rubber.

**Hardware:** Included with each door shall be the following hardware; all necessary screws for installation, latch set with an inside lock, check chain with hold up spring and a heavy-duty pneumatic-type door closer. Optional door handle styles available on request.

**Style Options:** Colonial, Hilite, Onelite, Carriage, Provincials, Georgian Shutters, Four Squares, Self-Storing styles. Door available in expander and French door applications.

**Options:** Glazing: Beveled, acrylic, lexan, and special tempered glass.



**Patio Door Screen (Custom size)**

<b>WHITE</b>	\$1.30 ui
<b>BRONZE</b>	\$1.50 ui
<b>ALMOND</b>	\$ 1.50 ui

<b>STOCK SIZE SCREENS</b>	<b>Available in:</b>	White, or Almond
<b>5'</b>	29" x 77 3/4"	\$ 140.00
<b>6'</b>	35" x 77 3/4"	\$ 150.00
<b>8'</b>	47 x 77 3/4"	\$ 160.00

**Storm Window Replacement Inserts**

Screen insert	\$ .90 ui (\$ 60.00 minimum)
Glass insert	\$1.10 ui (\$ 70.00 minimum)

**Storm Door Replacement Inserts 5/16 thick x 7/8 wide**

Door screen straight	\$.80 ui
Door screen scallop	\$.90 ui
Stock tempered door insert	\$1.20 ui
Custom tempered door insert	\$2.00 ui
Plexi door insert	\$2.00 ui
Charcoal screen wire (100 roll)	\$1.50 sq ft
Pet Screen	\$3.00 sq ft

**Warranty**

Aluminum Storm Products with standard Baked Enamel finishes (2603) have a warranty for 5 years excluding coastal area\*. Coastal Finishes (2605) carry a warranty of 3 years when used in coastal areas\*. Please see full warranty for complete information. (\* see definitions of coastal areas on full warranty)



## Aluminum Porch Enclosures

1"x1" components White standard	<100 ui	101-140 ui	Feature summary
<b>1"x1" Box Screen</b>	\$1.30 ui	\$1.50 ui	<ul style="list-style-type: none"> <li>• Extruded Frame</li> <li>• .060" Thick Frame</li> <li>• Baked Enamel Finish</li> </ul>
<b>1"x1" with Kickpanel</b>	\$1.50 ui	\$1.80 ui	
<b>1"x1" Trapezoids</b>	\$3.00 ui	\$4.00ui	

Storm Door Panels		Hi-Lite	DbL. Kick	XBUCK	1-Lite	Self-Storing
White	Model 200	\$368	N/A	\$368	\$368	N/A

## Accessories and Parts

Screen Mullions		\$ 10.00 per mullion
2" – F-Channel (15')	\$ 1.80 per foot	\$ 27.00
1" – F-Channel (15')	\$ 1.80 per foot	\$ 27.00
1 ½" – H-Channel (15')	\$ 1.80 per foot	\$ 27.00
1 ½" – U-Channel (15')	\$ 1.80 per foot	\$ 27.00
3/8"x5/8" Angle (15')	\$ 0.75 per foot	\$ 11.25
1"x1" Box Screen Frame (15')	\$ 2.50 per foot	\$ 37.50
2"x3" Square Tubing (15')	Special Order Non Stock	Call for Pricing

**General:** Manufactured by STERGIS Windows and Doors, Attleboro, Massachusetts

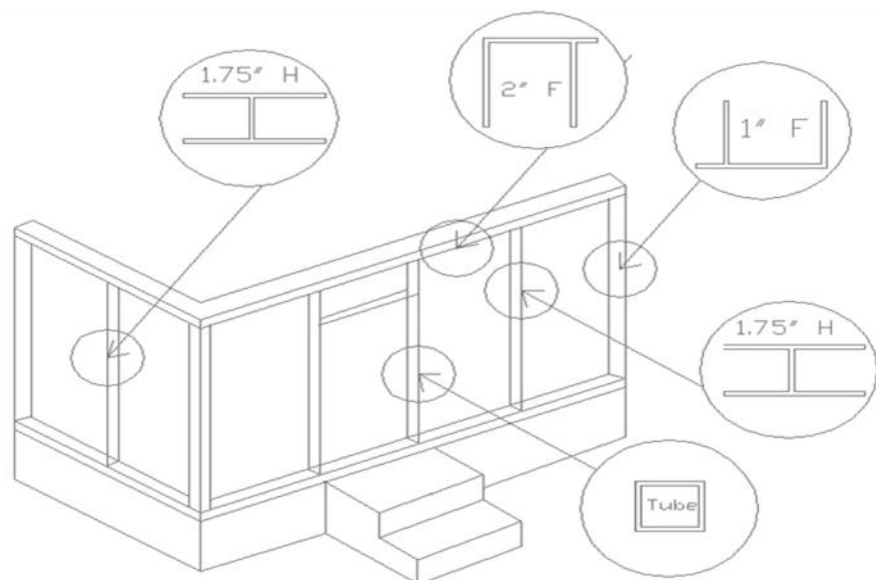
**Materials:** Enclosure system shall consist of the Combination Storm Door Panel and special aluminum frame and mulling elements. Extrusions for both door panel and framing and mulling elements shall be 6063-T5 heat treated aluminum alloy.

**Panel Construction & Accessories:** The panel frames shall consist of hollow extrusions, reinforced with cross mullions of hollow box construction with a minimum wall thickness of .060". The door panel frame shall be mitered and joined with stainless steel screws into die cast corner keys. Door main rails shall be 1 1/8" deep and 2 3/8" wide. The mullions shall overlap the inside lip of the frame and shall be attached to the frame by four stainless steel screws. The mullions shall be a minimum of 1" thick by 2 3/8" wide. The kickplate shall be inserted and glued with a silicone based adhesive into a 1/8" deep groove on all four sides. The kickplate shall be an .032" textured or embossed aluminum sheet. The accessory pieces shall consist of 1" F channel, 2" F channel, 1 1/2" U channel and 2" H channel all with a nominal wall thickness of .050".

**Sash & Screen Insert for Door Panel:** Sash shall be glazed with 1/8" tempered glass as standard. Insert shall be marine glazed using vinyl wrap around a U-channel set in an aluminum frame. Corners shall be mitered and joined by the use of a stamped cast corner key securely staked in place. Screen frame shall be of hollow box construction. It shall be mitered and staked using stamped aluminum corners. Screen wire shall be 18 x 16 mesh, non-glare charcoal finish aluminum held in place by a corrugated vinyl spline. Both glass and screen insert shall be retained in the door panel by the use of aluminum clips and thumb screws set in aluminum rivnuts.

**Available Finishes:** All aluminum finishes shall be electrostatically applied baked enamel in white.

When ordered with acrylic, lexan, or special tempered glass, we are able to make the door panels any width between 12" and 48" and any height from 50" to 100".







**STERGIS**  
WINDOWS • DOORS

www.Stergis.com

79 Walton Street, Attleboro MA

508-455-0661 • FAX 508-455-0622 • 1-888-STERGIS

**GLASS**

		Net Add	List Add	U/M	Installation Add Net
1" Clear Annealed	1/8" Lites				
1" Clear Annealed	3/16" Lites	\$ 0.50	\$ 1.00	Per Sqr	
1" Clear Annealed	1/4" Lites	\$ 1.00	\$ 2.00	Per Sqr	
1" Tempered Clear	3/16" Lites	\$ 3.00	\$ 6.00	Per Sqr	
1" Tempered Clear	1/4" Lites	\$ 4.00	\$ 8.00	Per Sqr	
1 5/16" Clear Temp	3/16" Lites	\$ 4.00	\$ 8.00	Per Sqr	
1 5/16" Clear Temp	7/32" Lites	\$ 5.50	\$ 11.00	Per Sqr	
1 5/16" Clear Temp	1/4" Lites	\$ 7.00	\$ 14.00	Per Sqr	
Add	Low E 270	\$ 3.00	\$ 6.00	Per Sqr	
Add	Low E 366	\$ 3.00	\$ 6.00	Per Sqr	
Add	Low E Solarban 60	\$ 3.00	\$ 6.00	Per Sqr	
Add	Low E Solarban 70	\$ 3.00	\$ 6.00	Per Sqr	
Add	Spandrel	\$ 4.00	\$ 8.00	Per Sqr	
Add	Reflective Glass	\$ 7.00	\$ 14.00	Per Sqr	
Add	Panel 15"	\$ 7.00	\$ 14.00	Per Sqr	
Add	.030 Laminated	\$ 1.00	\$ 2.00	Per Sqr	
Add	.060 Laminated	\$ 3.00	\$ 6.00	Per Sqr	
Add	.090 Laminated	\$ 7.00	\$ 14.00	Per Sqr	
Add	Solar Gray	\$ 4.00	\$ 8.00	Per Sqr	
Add	Solar Bronze	\$ 4.00	\$ 8.00	Per Sqr	
Add	Solex	\$ 4.00	\$ 8.00	Per Sqr	
Add	Azuria or Caribia	\$ 4.00	\$ 8.00	Per Sqr	



www.Stergis.com

79 Walton Street, Attleboro MA

508-455-0661 • FAX 508-455-0622 • 1-888-STERGIS

## STOREFRONT PRICING

	Net Add	List Add	U/M	Installation Add Net
1 3/4 Storefront Mono 1 3/4 x 4" Non IG	\$ 12	\$ 24	Sqr/Ft	\$ 7.00
1 3/4 Storefront Thermal 1 3/4 x 6 IG	\$ 16	\$ 32	Sqr/Ft	\$ 8.00
2 Storefront Non Thermal 2 x 4 1/2	\$ 16	\$ 32	Sqr/Ft	\$ 8.00
2 Storefront THERMAL 2 x 4 1/2 IG	\$ 18	\$ 36	Sqr/Ft	\$ 9.00
2 1/2 CurtainWall 5 1/2"	\$ 36	\$ 72	Sqr/Ft	\$ 21.00
2 1/2 CurtainWall 6"	\$ 36	\$ 72	Sqr/Ft	\$ 21.00
2 1/2 Curtainwall 7 1/2	\$ 36	\$ 72	Sqr/Ft	\$ 21.00
3 Curtainwall 8" Blast	\$ 62	\$ 124	Sqr/Ft	\$ 30.00

## DOOR LEAFS

Single Door	\$ 4.50	\$ 9.00	Sqr/Ft
Double Door	\$ 4.50	\$ 9.00	Sqr/Ft
Stock Door Size 40 x 86.5ttt	\$ (1.00)	\$ (2.00)	Sqr/Ft
Sidelites and Transoms	\$ 2.00	\$ 4.00	Sqr/Ft
Special Configurations	TBD	TBD	

## FINISHES

Standard Finish - Clear and Drk Bronze	Included	included	included
Painted Finish - White, H Green, Medium Brz, Light Brz		10%	10%
Standard Kynar Finishes		18%	18%
Custom Kynar Metallic 3 Coat		35%	35%



**STERGIS**  
WINDOWS • DOORS

www.Stergis.com

79 Walton Street, Attleboro MA

508-455-0661 • FAX 508-455-0622 • 1-888-STERGIS

## HARDWARE

	Net Add	List Add	U/M	Installation Add Net
Flashing Head or Sill	\$ 4.00	\$ 8.00	ft	
Receptor	\$ .50	\$ 17.00	ft	
1" Push Pulls	\$ 35.00	\$ 70.00	ea	
Surface Closer	\$ 45.00	\$ 90.00	ea	
COC Recessed Closer	\$ 150.00	\$ 300.00	ea	
Keylock T/Key	incl			
Keylock Key/Key	\$ 18.00	\$ 36.00	ea	
Standard Threshold	incl			
Bump Up Threshold	\$ 34.00	\$ 68.00	ea	
Surface Rim Panic 8400	\$ 400.00	\$ 800.00	ea	
Surface Concealed Rod Panic	\$ 725.00	\$ 1,450.00	ea	
Paddle Interior Release	\$ 220.00	\$ 440.00	ea	
Electric Strike	\$ 300.00	\$ 600.00	ea	
Electric Release for Panic	\$ 225.00	\$ 450.00	ea	
Von Duprin Concealed Panic	\$1,100.00	\$ 2,200.00	ea	
Keyed Alike	\$ 70.00	\$ 140.00	ea	
Continuous Gear Hinge	\$ 125.00	\$ 250.00	ea	
Break metal	\$ 6.00	\$ 12.00	ft	
Door Sweep	\$ 12.00	\$ 24.00	ea	
Interior Trim	\$ 3.00	\$ 6.00	ft	
3 Butt Hinges	\$ 60.00	\$ 120.00	Set	
Pivot Hinges	\$ 20.00	\$ 40.00	Set	
Special Hardware	TBD	TBD		



www.Stergis.com  
 79 Walton Street, Attleboro MA  
 508-455-0661 • FAX 508-455-0622 • 1-888-STERGIS

## COMMERCIAL CHECK LIST

Please complete this form for all commercial projects that have submitted a P.O.

<b>Account Name</b>		
<b>Account Sales Person</b>		
<b>Purchase Order</b>		
<b>Date</b>		
<b>Job Name</b>		
<b>Plans Submitted</b> <b>Please note full set is preferred.</b>	Full Set	
	Floor Plans	
	Window & Door Schedule	
	Elevations	
	Specifications	
	Other-	
<b>Job Address</b>		
<b>Job Site Contact</b>	Email	
	Cell	
	Office	
	Fax	
<b>Requested Delivery Date</b>		



www.Stergis.com

79 Walton Street, Attleboro MA

508-455-0661 • FAX 508-455-0622 • 1-888-STERGIS

INSULATED GLASS			
Thickness	3/32"	1/8"	Minimum Charge
Clear			
Low-E			
EnerG Performance			
Obscure			
Obscure Low-E			
Obscure EnerG			
Tempered Clear			
Tempered Low-E			
Tempered EnerG			
Obscure Tempered			
Low-E Obscure Tempered			
EnerG Obscure Tempered			
Low-E Laminated (.030, .060, .090)			

NON-INSULATED GLASS				
	Single Strength	Double Strength	1/8" Tempered	1/4" Tempered
Clear				
Low-E				
EnerG Performance				
Obscure				
Obscure Low-E				
Obscure EnerG				
Tempered Clear				
Tempered Low-E				
Tempered EnerG				
Obscure Tempered				
Low-E Obscure Tempered				
EnerG Obscure Tempered				
Low-E Laminated (.030, .060, .090)				

OPTIONS			
<b>Grids</b>		<b>OTHER</b>	
Contoured	\$ 26.00 per sash	Dual Seal Silicone (one side)	Add 15%
Flat	\$ 26.00 per sash	Special Shapes	
SDL Exterior Surface 1	\$ 50.00 per sash	Glazing Tape (1/16" x 1/2" x 150')	\$ 20.00
SDL Interior Surface 4	\$ 50.00 per sash		
Prairie	\$ 26.00 per sash		
Diamond	\$ 80.00 per sash		
Custom 2 Toned	\$ 75.00 per sash		